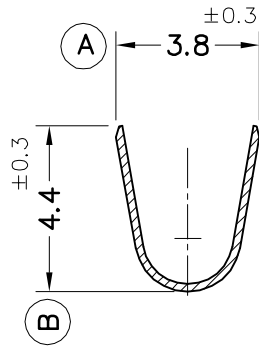
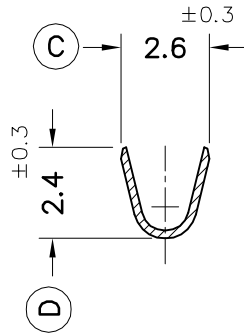


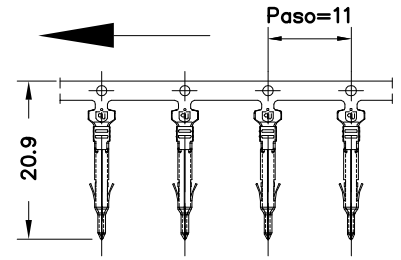
Secc. A-A'



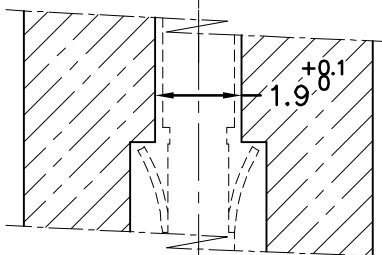
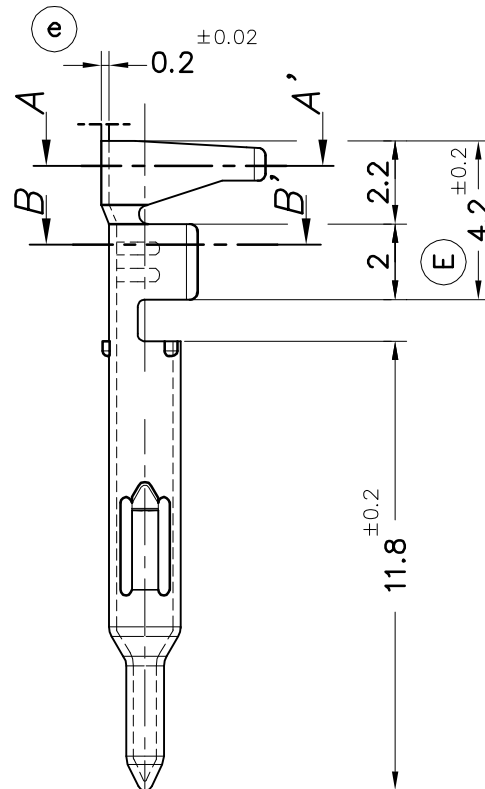
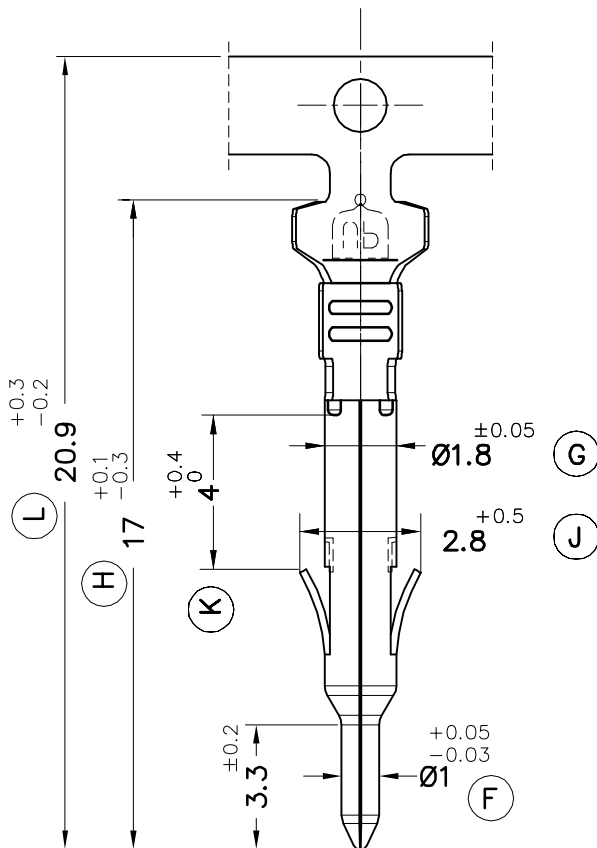
Secc. B-B'



FORMA DE SUMINISTRO



Escala: 1/1



DETALLE AGUJERO DE  
RETENCIÓN DEL CONECTOR  
HOLE LOCKING  
CONNECTOR DETAIL

|    |   |          |
|----|---|----------|
| 03 | Mod. Tope retención                     | 26/07/12 |
| 02 | Detalle conector<br>Mod. zona retención | 10/06/10 |
| 01 | Control/Galga                           | 13/07/09 |
| 00 | 1ª Edición                              | 09/06/03 |

|             |              |          |                          |             |  |   |   |   |   |      |              |       |  |  |  |  |  |  |
|-------------|--------------|----------|--------------------------|-------------|--|---|---|---|---|------|--------------|-------|--|--|--|--|--|--|
| 7544.01     | Pre-Estañado | Latón    | 0.3±0.9 mm. <sup>2</sup> | 1.5±2.8 mm. |  |   |   |   |   |      |              |       |  |  |  |  |  |  |
| 7544.00     | Natural      | CuZn30   |                          |             |  |   |   |   |   |      |              |       |  |  |  |  |  |  |
| Referencias | Acabados     | Material | Sección Conductor        | ∅ Aislante  |  | A | B | C | D | Rev. | Modificación | Fecha |  |  |  |  |  |  |



**ESCUBEDO**  
Especialitats Elèctriques Escubedo S.A.

TERMINAL MACHO Mini UP-LOK Ø1

Terminales  Electricos

|          |     |   |                              |                                    |                                   |         |             |
|----------|-----|---|------------------------------|------------------------------------|-----------------------------------|---------|-------------|
| DIBUJADO | JCS | 09/06/03  | NORMAS MATERIALES<br>EN 1654 | NORMAS DIMENSIONALES<br>Especiales | TOLERANCIAS GENERALES<br>±0.2 ±2° | FORMATO | A4v         |
| CONTROL  | FAT | 09/06/03  |                              |                                    |                                   | NOMBRE  | PT 7544 "c" |
| ESCALA   | 5/1 |  |                              |                                    |                                   | REF.    | 7544.xx     |