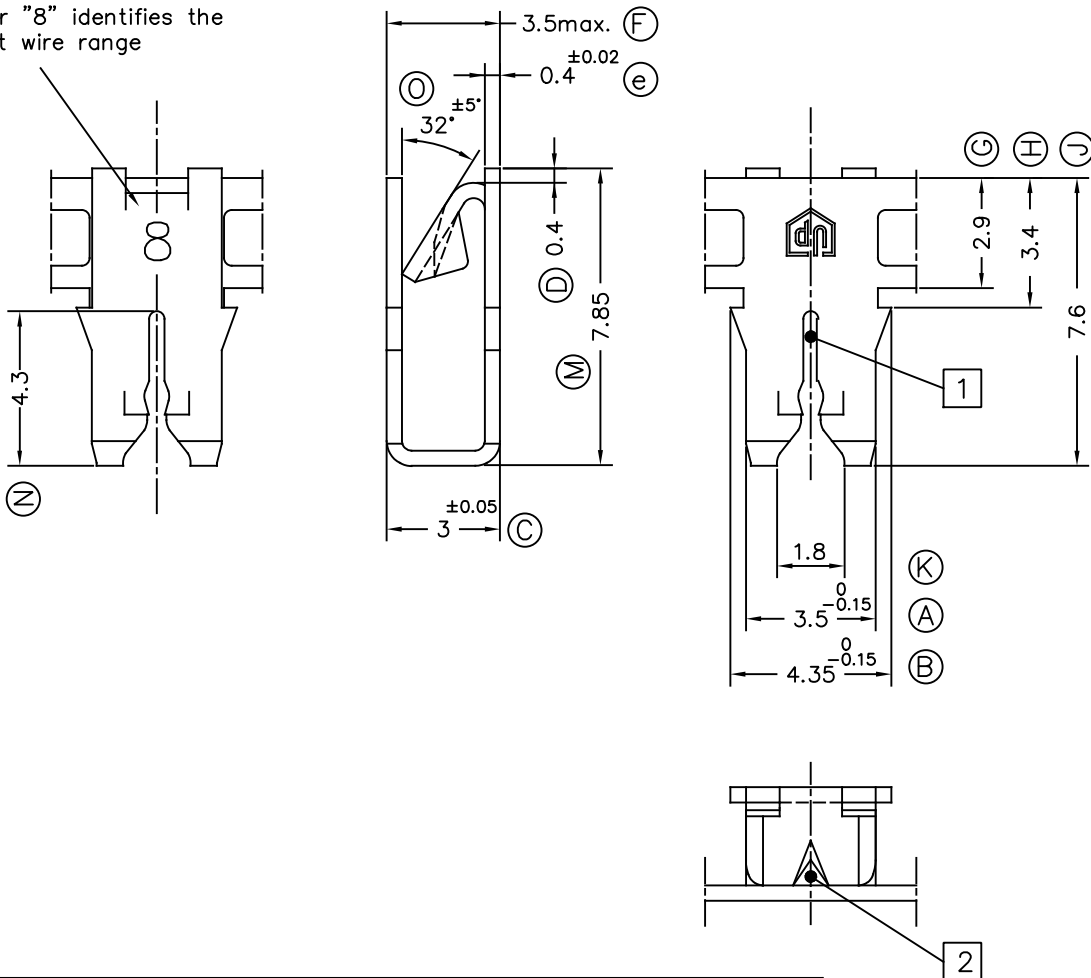


Number "8" identifies the magnet wire range



Notes:

[1] Copper wires: Slot allows insertion of single magnet wire.
Aluminium wires: Slot may accept single aluminium magnet wires. Consult Escubedo for the wire range.

[2] Allows connection of UP-MATE tabs, as well as rigid or multi-stranded wires

03	Inf. updated	02/08/18
02	Updated & Al. wire	13/03/17
01	Dimens. Rev.	01/07/09

6908.02	Tinplated	CuZn30*	045-0.65 mm	0.5-0.9 mm ²					00	1st. Edition	11/02/09
References	Finish	Material	∅Copper Magnet wire [1]	Cable Sq.section [2]	A	B	C	D	Rev.	Description	Date

<p>ESCUBEDO Especialitats Elèctriques Escubedo S.A.</p>			FEMALE UP-MATE							
DWN	JCS	11/02/09							SIZE	A4v
CHK	FAT	11/02/09	MATERIAL STANDARDS	DIMENSIONAL STANDARDS	GENERAL TOLERANCES				DRW NAME	PT6908 "c"
SCALE	5/1		EN 1654*	Specials	±0.2 ±2°				REF.	6908.xx