



5814C**

4.8 mm (.187) UP-TP Flag Terminals



Description Flag receptacles Low insertion for tab 4.8*0.8 without dimples
Wire section range 0.50 – 1.50 mm² (AWG 20 - 16)
Max. Insulator Ø 3.3 mm.

Materials, Temperature & Contact resistance

Part nr.	Material	Finishing	Max. temp. (C°)	Resist. (mΩ)	UL regulation
5814C00	Brass	Natural	110	(T.B.D)	
5814C01	Brass	Pre-tin plated	120	0.56	
5814C02	Brass	Tin plated	120	(T.B.D)	-
5814C31	Bronze	Pre-tin plated	130	(T.B.D)	-
5814C24	Steel	Nickel-plated	300	(T.B.D)	

Notes: Temperatures as per IEC 61210 standard.
Maximal contact resistance: only contact zone

Material thickness 0.35 mm

Max. Rated current

Wire section (mm ²)	Current (A)
0.50	8
0.75	10
1.00	12
1.50	16

Note: Current carrying capacity according to wire size (IEC 60760)



Insertion/Withdrawal forces

1st. Insertion	15 N Max
1st. Withdrawal	20 N Max
10th. Withdrawal	5 N Min

Application tool MN5812

Wire stripping length 4.0 (±0.5) mm

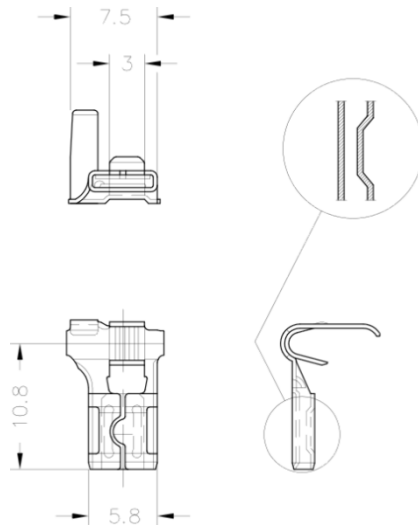
Crimping parameters & Pull out force

Wire section (mm ² ±10%)		Conductor (±0.05)		Insulator (±0.15)	Pull-out force (N)	
Nominal	Actual	Height (mm.)	Width (mm.)	Width (mm.)	DIN64249	ESCUBEDO
0.50	0.45	1.25	2.41	3.5	≥ 80	> 90
0.75	0.71	1.35	2.42	3.5	≥ 120	> 130
1.00	0.93	1.45	2.46	3.5	≥ 160	>170
1.50	1.45	1.65	2.49	3.5	≥ 200	>210

Note: Values only valid for the application tool specified upwards. The insulator widths are only indicative as they are dependent on the sheath thickness of the wire used.

Packaging

Drawing



Approvals

- RoHS Compliant
- UL (see table above)



Notes

T.B.D.: To be determined



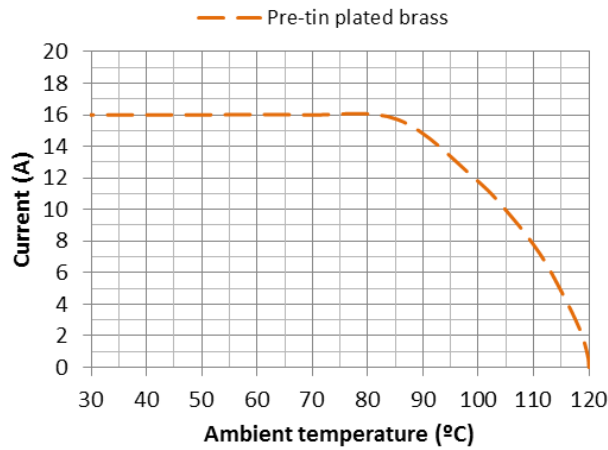
5814C**

4.8 mm (.187) UP-TP Flag Terminals

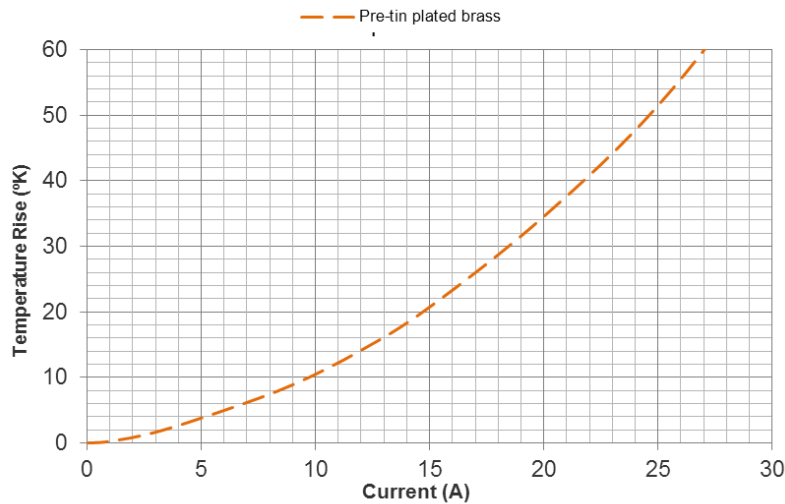


Thermal derating curves

(Maximum current vs. maximum ambient temperature)
Note: 20% security margin is applied on all derating curves.
Section 1.5mm² curves.



Thermal rise curves



Disclaimer

Data obtained from Escubedo Laboratory essays, using own methodology, cablings, equipment and original crimping tools , done in laboratory conditions and following the indicated standards, errors and omissions excepted. This document has no contractual meaning and it is publicised only for informative purposes. It can be changed without prior notice. The end customer has the sole responsibility to check these characteristics in its environment and with its own components, manufacturing methods and equipment. See also the full range product overview if available. For further information please visit our web site or contact us.

Rev. Nr.	Modification	Date	Created/Revised	Approved
1	Creation/Update	29/11/2013	D.Martinez	A.Calvet