



# 5427.\*\*

## 6.3 mm (.250) UP-STA Flag Terminals

**Description** Short Flag receptacles B crimping for tab 6.3\*0.8

**Wire section range** 0.50 ÷ 0.75 mm<sup>2</sup> (AWG 20 - 18)

**Max. Insulator Ø** 3.3 mm.

**Materials, Temperature & Contact resistance**

Part nr.	Material	Finishing	Max. temp. (C°)	Resist. (mΩ)
5427.00	Brass	Natural	110	(T.B.D)
5427.02	Brass	Tin plated	120	0.86
5427.30	Bronze	Natural	120	(T.B.D)
5427.32	Bronze	Tin plated	130	(T.B.D)
5427.24	Steel	Nickel-plated	300	(T.B.D)

**Notes:** Temperatures as per IEC 61210 standard.  
Maximal contact resistance: only contact zone

**Material thickness** 0.4 mm

**Max. Rated current**

Wire section (mm <sup>2</sup> )	Current (A)
0.50	8
0.75	10

**Note:** Current carrying capacity according to wire size ( IEC 60760 )



**Thermal derating I Increment curve** (see graphs in following sheet)

**Insertion/Withdrawal forces**

1st. Insertion	≥ 60 N
1st. Withdrawal	≥ 60 N
10th. Withdrawal	≤ 18 N

**Application tool** MN5427

**Wire striping length** 5.5 (±0.5) mm

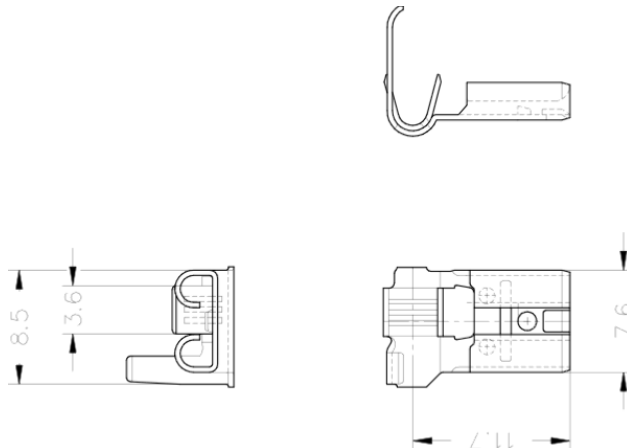
**Crimping parameters & Pull out force**

Wire section (mm <sup>2</sup> ±10%)		Conductor (±0,05)		Insulator (±0,10)	Pull-out force Min (N)	
Nominal	Actual	Height (mm.)	Width (mm.)	Height (mm.)	DIN64249	ESCUBEDO
0.50	0.45	1.30	2.33	2.55	80	90
0.75	0.71	1.40	2.36	2.70	120	130

**Note:** Values only valid for the application tool specified upwards. The insulator widths are only indicative as they are dependent on the sheath thickness of the wire used

**Packaging** 3500 Pieces on 300 mm. Ø x 160 mm. wide cardboard reel, 19.5 mm terminal chain pitch

**Drawing**



**Approvals**

- RoHS Compliant



**Notes**

T.B.D.: To be determined



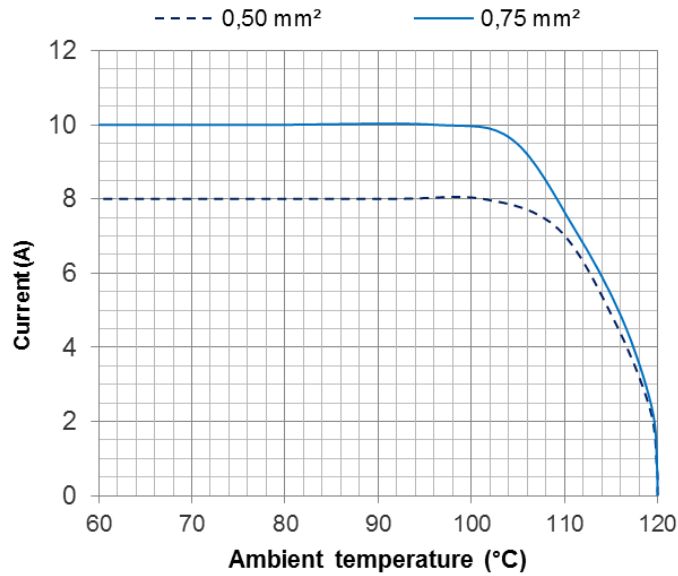
# 5427.\*\*

6.3 mm (.250) UP-STA Flag Terminals

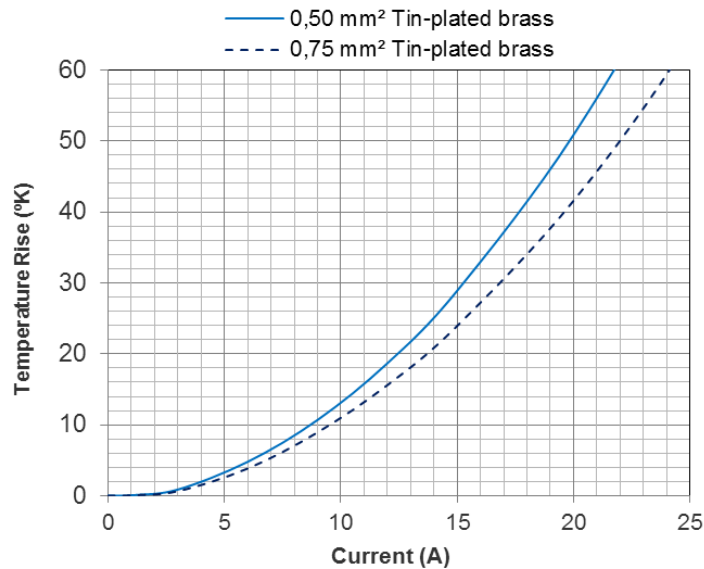
### Thermal derating curves

(Maximum current vs. maximum ambient temperature)  
Note: 20% security margin is applied on all derating curves

#### Tin-plated brass



### Thermal rise curves



#### **Disclaimer**

Data obtained from Escubedo Laboratory essays, using own methodology, cablings, equipment and original crimping tools, done in laboratory conditions and following the indicated standards, errors and omissions excepted. This document has no contractual meaning and it is publicised only for informative purposes. It can be changed without prior notice. The end customer has the sole responsibility to check these characteristics in its environment and with its own components, manufacturing methods and equipment. See also the full range product overview if available. For further information please visit our web site or contact us.

Rev. Nr.	Modification	Date	Created/Revised	Approved
1	Creation	04/03/2014	D.Martinez	A.Calvet