

## 4809K\*\*



### 2.8 MM (.110) UP-TP LOW INSERTION RECEPTACLES FOR TAB 2.8X0.5

**Description** Low insertion receptacles for 2.8x0.5 Tabs. Without upper dimple

**Wire section range** 0.50 – 1.00 mm<sup>2</sup> (AWG 20 - 18)

**Max. Insulator Ø** 3.3 mm

**Materials & Temperature**

Part nr.	Material	Finishing	Max. Temp. (C°)
4809K00	Brass	Natural	110
4809K01	Brass	Pre-tin plated	120
4809K02	Brass	Tin plated	120
4809K30	Bronze	Natural	120
4809K31	Bronze	Pre-tin plated	130
4809K32	Bronze	Tin plated	130
4809K24	Steel	Nickel plated	300
4809K70	German silver	Natural	210

**Material thickness** 0.3 mm

**Max. Rated current**

**Maximum Current values.**

Values of the table show the recommended maximum current values, limited by the cross section of the cable used. These maximum values also depend on the ambient temperature, and can be reduced depending on the working conditions. For more precise information about the maximum rating current applicable in each case, consult the "Temperature Rise" and "De-rating" curves.

Wire section (mm <sup>2</sup> )	Current (A)
0.50	6
0.75	8
1.00	8

**Insertion/Withdrawal forces**


1 <sup>st</sup> . Insertion	15 N Max.
1 <sup>st</sup> . Withdrawal	15 N Min.
10 <sup>th</sup> . Withdrawal	8 N Min.

**Note:** Insertion and withdrawal forces valid for natural brass tab.

**Application tool** MN4809

**Wire striping length** 3.7 (±0.5) mm

**Crimping parameters & Pull out force**

Wire section (mm <sup>2</sup> ±10%)	Conductor (mm) 		Insulator (mm)	Pull-out force (N)
	Height (±0.05)	Width (measured)		
Nominal				
0.50	1.25	2.05	3.05	>70
0.75	1.40	2.06	3.05	>80
1.00	1.45	2.08	3.06	>90

**Note:** Values only valid for the application tool specified. The insulator width is only indicative as they depend of the insulation properties

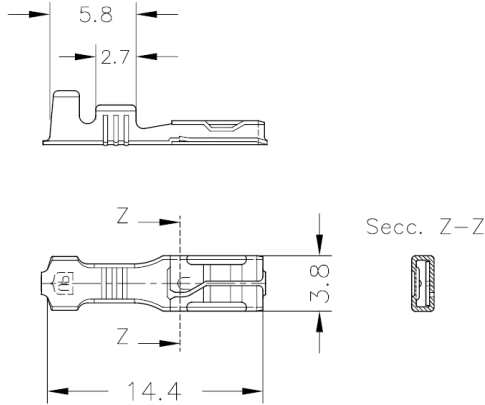
**Packaging** 15000 Pieces 300 mm Ø x 160 mm wide cardboard reel , 16.5 mm terminal chain pitch

**4809K\*\***



**2.8 MM (.110) UP-TP LOW INSERTION RECEPTACLES FOR TAB 2.8X0.5**

**Drawing**



**Connectors Compatibility**

Part number	Colour	Way Nr.	Raw material
2281410	Natural	1	PA
2281440	Natural	1	PA
2281510	Natural	1	PA
2281540	Natural	1	PA
2281610	Natural	1	PA
2281640	Natural	1	PA

**Note:** For others materials and colours ask: [info@escubedo.com](mailto:info@escubedo.com)

**Approvals**

RoHS Copliant	
---------------	--

**Disclaimer**

Data obtained from Escubedo Laboratory essays, using own methodology, cablings, equipment and original crimping tools, done in laboratory conditions and following the indicated standards, errors and omissions excepted. This document has no contractual meaning and it is publicised only for informative purposes. It can be changed without prior notice. The end customer has the sole responsibility to check these characteristics in its environment and with its own components, manufacturing methods and equipment. See also the full range product overview if available. For further information please visit our web site or contact us.

Rev. Nr.	Modification	Date	Created/Revised	Approved
9	Packaging/format Update	10/05/2017	D.Martinez / E. Roura	X. Menac
8	Insertion/Withdrawal Forces update	28/03/2017	D.Martinez / E. Roura	X. Menac
7	Update Format	20/07/2016	D.Martinez / E. Roura	X. Menac
6	Standard max. Temp. change	14/03/2011	D.Martinez	JC Sanchez