

4322.**



6.3 MM (.250) UP-STA TERMINALS



Description Receptacles for connector for tab 6.3*0.8 (With dimple)

Wire section range 0.3 – 0.6 mm² (AWG 22 - 20)

Max. Insulator Ø 2.1 mm

Materials, Temperature & Contact resistance

Part nr.	Material	Finishing	Max. temp. (C°)	Resist. (mΩ)
4322.00	Brass	Natural	110	(T.B.D.)
4322.02	Brass	Tin Plated	120	(T.B.D.)

Note: Maximal contact resistance: only contact zone

Material thickness 0.32 mm

Max. Rated current

Maximum Current values.

Values of the table show the recommended maximum current values, limited by the cross section of the cable used. These maximum values also depend on the ambient temperature, and can be reduced depending on the working conditions. For more precise information about the maximum rating current applicable in each case, consult the "Temperature Rise" and "Derating" curves.

Wire section (mm ²)	Current (A)
0.30	2
0.35	4
0.50	5
0.60	5

Insertion/Withdrawal forces

1 st . Insertion	30 N Max
1 st . Withdrawal	60 N Max
6 th . Withdrawal	10 N Min

Application tool MN4322

Wire striping length 5.0 (±0.5) mm

Crimping parameters & Pull out force

Wire section mm ²	Conductor (mm)		Insulator (mm)		Pull-out force (N)
	Height (±0.03)	Width (measured)	Height (measured)	Width (measured)	
0.30	1.00	1.84	2.25	2.65	> 40
0.35	1.05	1.85	2.25	2.66	> 60
0.50	1.10	1.86	2.30	2.67	> 100
0.60	1.10	1.86	2.31	2.67	> 100

Note: Values only valid for the application tool specified. The insulator width is only indicative as they depend of the insulation properties

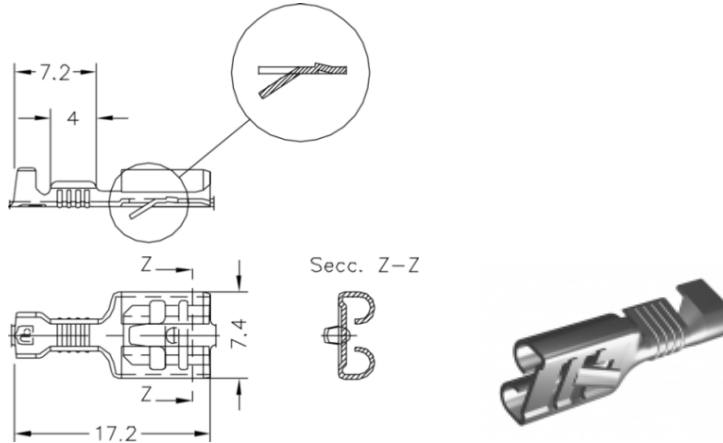
Packaging 9000 Pieces on 300 mm. Ø x 160 mm. wide cardboard reel, 18.75 mm terminal chain pitch

4322.**

6.3 MM (.250) UP-STA TERMINALS



Drawing



Approvals

- RoHS Compliant



Connector Compatibility

Part number	Color	Way	Raw Material
2635110	Natural	1	PA66V2
2635210		2	PA66V2
2635310		3	PA66V2
2635410		4	PA66V2
2635610		6	PA66V2
2635810		8	PA66V2
2637410		2	PA66V2
2637810		2	PA66V2
2637510		2	PA66V2
2638610		6	PA66V2
2639728	Grey	6 (3x2)	ABS
2639010	Natural	5x2	PA66V2
2638010		11	PA66V2
2638710		12	PA66V2
2635540		4	No Flame
2635710		12	PA66V2
2635730			PA66V0
2635740			No Flame

Note: For others materials and colours ask: info@escubedo.com

Note: T.B.D. To be determined

Disclaimer

Data obtained from Escubedo Laboratory essays, using own methodology, cablings, equipment and original crimping tools, done in laboratory conditions and following the indicated standards, errors and omissions excepted. This document has no contractual meaning and it is publiscid only for informative purposes. It can be changed without prior notice. The end customer has the sole responsibility to check these characteristics in its environment and with its own components, manufacturing methods and equipment. See also the full range product overview if available. For further information please visit our web site or contact us.

Rev. Nr.	Modification	Date	Created/Revised	Approved
1	Creation	07/11/2016	D.Martinez / E.Roura	X.Menac