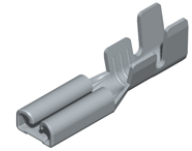


4108.**



2.8 MM (.110) UP-STA RECEPTACLES FOR CONNECTOR FOR TAB 2.8X0.8



Description Standard receptacles for connector for 2.8x0.8 Tabs. Side feed receptacles

Dimensional Standard DIN 46340

Wire section range 0.50– 1.00 mm² (AWG 20 - 18)

Max. Insulator Ø 2.5 mm.

Materials, Temperature & Contact resistance

Part nr.	Material	Finishing	Max. temp. (C°)
4108.00	Brass	Natural	110
4108.01	Brass	Pre-tin plated	120
4108.30	Bronze	Natural	120
4108.31	Bronze	Pre-tin plated	130

Notes: Temperatures as per IEC 61210 standard.

Material thickness 0,3 mm

Max. Rated current

Maximum Current values.

Values of the table show the recommended maximum current values, limited by the cross section of the cable used. These maximum values also depend on the ambient temperature, and can be reduced depending on the working conditions. For more precise information about the maximum rating current applicable in each case, consult the "Temperature Rise" and "De-rating" curves.

Wire section (mm ²)	Current (A)
0.50	6
0.75	8
1.00	8

Insertion/Withdrawal forces

	Natural
1st. Insertion	25 N Max.
1st. Withdrawal	30 N Max.
10th. Withdrawal	5 N Min.

Application tool MN4107

Wire striping length 3.5 (±0.5) mm

Crimping parameters & Pull out force

Wire section (mm ² ±10%)		Conductor (±0,05)		Insulator (±0,15)	Pull-out force (N)	
Nominal	Actual	Height (mm.)	Width (mm.)	Width (mm.)	DIN64249	ESCUBEDO
0.50	0.45	1.15	2.02	3.11	≥ 60	>70
0.75	0.71	1.25	2.04	3.13	≥ 70	>80
1.00	0.93	1.35	2.05	3.15	≥ 80	>90

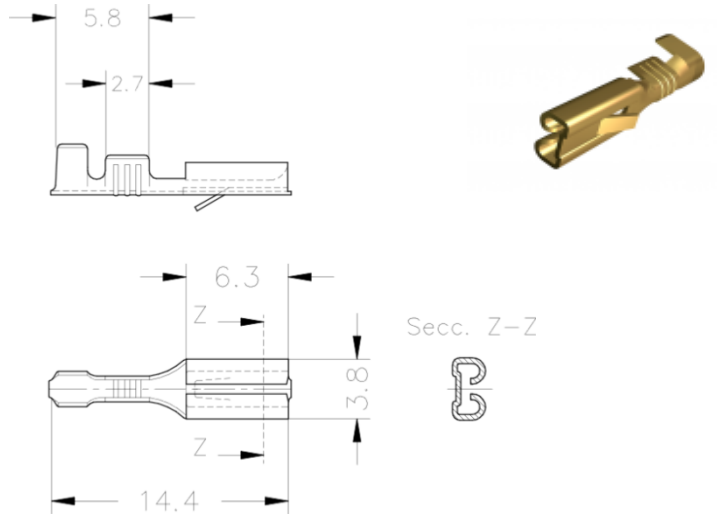
Note: Values only valid for the application tool specified upwards. The insulator widths are only indicative as they are dependent on the sheath thickness of the wire used.

Packaging 7000 Pieces on 20 mm. cardboard reel, 10 mm terminal chain pitch

4108.**

2.8 MM (.110) UP-STA RECEPTACLES FOR CONNECTOR FOR TAB 2.8X0.8

Drawing



Approvals

- RoHS Compliant



Connectors Compatibility

Part Number	Color	Way	Nylon	Nylon V0	PA66 NF
2285010	Natural	1	X		
2285030	Natural			X	
2285040	Natural				X
2285210	Natural	2	X		
2284310	Natural	3	X		
2284330	Natural			X	
2284340	Natural				X
2287310	Natural	5	X		

Note: For others materials and colours consult the specific datasheet

Disclaimer

Data obtained from Escubedo Laboratory essays, using own methodology, cablings, equipment and original crimping tools, done in laboratory conditions and following the indicated standards, errors and omissions excepted. This document has no contractual meaning and it is publiscid only for informative purposes. It can be changed without prior notice. The end customer has the sole responsibility to check these characteristics in its environment and with its own components, manufacturing methods and equipment. See also the full range product overview if available. For further information please visit our web site or contact us.

Rev. Nr.	Modification	Date	Created/Revised	Approved
1	Creation/Update	02/04/2015	D.Martinez / E.Roura	JC Sanchez