

26378**

6.3 MM (.250) UP-STA TERMINALS - 2 WAYS RECEPTACLE T CONNECTOR



Description Receptacle housing for series receptacles for connector

Thermal characteristics

Part Number	Raw Material	Flammability Class (UL 94)	Glow Wire Flammability Index (GWFI) (IEC60695-2-12)	Relative thermal index elec. (RTI) (Max. Operating Temp.) (UL746)	Glow Wire Test (GWT) (IEC60692-2-11)	UL Approvals
263781*	PA	V2	850 °C	105 °C	550°C	1977
263783*	PA	V0	850 °C	140 °C	650°C	1977
263784*	PA	V2	850 °C	130 °C	750°C	1977

* Colour

Compatibility (Terminals supported)

Wire size (mm ²)	With dimple	Without dimple
0.2 – 0.6	4322.**	4322K**
0.5 – 1.0	4321.** / 4323.** / 4326.**	4331.** / 4333.** / 4326K**
1.0 – 2.5	4325.** / 4327.** / 4344.** / 4328.**	4335.** / 4337.** / 4328K**
2.5 – 6.0	4346.**	4348.**

** Material - Finish

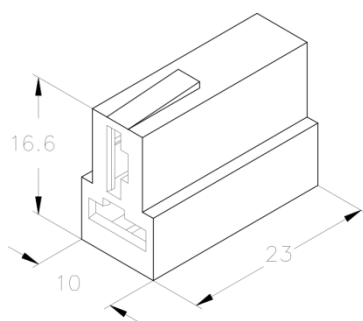
Mechanical properties (Terminal-connector for way)

Insertion	(T.B.D)
Withdrawal (lock only)	(T.B.D)

Counterpart (Male-female connector)

Part Nr.	26377**
Insertion	(T.B.D)
Withdrawal with dimple	(T.B.D)
Withdrawal without dimple	(T.B.D)

Drawing



Approvals



Disclaimer

Data obtained from Escubedo Laboratory essays, using own methodology, cablings, equipment and original crimping tools, done in laboratory conditions and following the indicated standards, errors and omissions excepted. This document has no contractual meaning and it is published only for informative purposes. It can be changed without prior notice. The end customer has the sole responsibility to check these characteristics in its environment and with its own components, manufacturing methods and equipment. See also the full range product overview if available. For further information please visit our web site or contact us.

Rev. Nr.	Concept	Date	Created/Revised	Approved
1	Creation	14/03/2017	D.Martinez / E.Roura	X.Menac