

**26354\*\***



**6.3 MM (.250) UP-STA TERMINALS - 4 WAYS RECEPTACLE CONNECTOR**

**Description** Receptacle housing for series receptacles for connector

**Thermal characteristics**

Part Number	Raw Material	Flammability Class (UL 94)	Glow Wire Flammability Index (GWFI) (IEC60695-2-12)	Relative thermal index elec. (RTI) (Max. Operating Temp.) (UL746)	Glow Wire Test (GWT) (IEC60692-2-11)	UL Approvals
263541*	PA	V2	850 °C	105 °C	550°C	1977
263543*	PA	V0	960 °C	140 °C	650°C	1977
263544*	PA	V2	960 °C	130 °C	750°C	1977

\* Colour

**Compatibility (Terminals supported)**

Wire size (mm <sup>2</sup> )	With dimple	Without dimple
0.2 – 0.6	4322.**	4322K**
0.5 – 1.0	4321.** / 4323.** / 4326.**	4331.** / 4333.** / 4326K**
1.0 – 2.5	4325.** / 4327.** / 4344.** / 4328.**	4335.** / 4337.** / 4328K**
2.5 – 6.0	4346.**	4348.**

\*\* Material - Finish

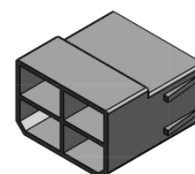
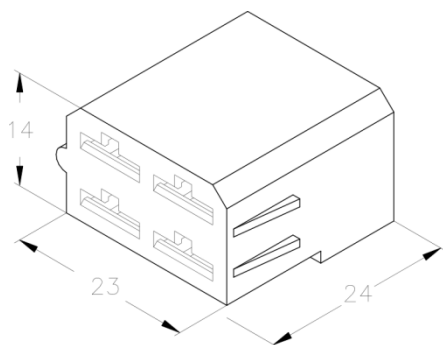
**Mechanical properties (Terminal-connector for way)**

Insertion	15 N Max.
Withdrawal (lock only)	90 N Min.

**Counterpart (Male-female connector)**

Part Nr.	26344**
Insertion	(T.B.D)
Withdrawal with dimple	(T.B.D)
Withdrawal without dimple	(T.B.D)

**Drawing**



**Approvals**



**Disclaimer**

Data obtained from Escubedo Laboratory essays, using own methodology, cablings, equipment and original crimping tools, done in laboratory conditions and following the indicated standards, errors and omissions excepted. This document has no contractual meaning and it is publicized only for informative purposes. It can be changed without prior notice. The end customer has the sole responsibility to check these characteristics in its environment and with its own components, manufacturing methods and equipment. See also the full range product overview if available. For further information please visit our web site or contact us.

Rev. Nr.	Concept	Date	Created/Revised	Approved
2	Update	14/03/2017	D.Martinez / E.Roura	X.Menac
1	Creation	22/07/2013	D.Martinez	J.C.Sanchez