

26351**



6.3 (.250) UP-STA TERMINALS - SINGLE LINE CONNECTOR

Description Single line Connector for 6.3 series terminals for connector



Thermal characteristics

Concept / PN.	263511*	263513*	263514*
Raw material	PA66	PA66/6	PANF
Flammability class ¹	V2	V0	NF
Glow Wire Flammability Index ²	850°C	960°C	960°C
RTI Electrical ³	65°C	140°C	65°C

¹ Flammability class UL 94
² IEC 60695-2-12
³ Max Operating Temp
 * Finish

Compatibility
(Terminals supported)

Wire size (mm ²)	With dimple	Without dimple
0.3 – 0.6	4322.**	4322K**
0.5 – 1.0	4321.** / 4323.** / 4326.**	4331.** / 4333.** / 4326K**
1.0 – 2.5	4325.** / 4327.** / 4344.** / 4328.**	4335.** / 4337.** / 4328K**
2.5 – 6.0	4346.**	4348.**

** Material - Finish

Mechanical properties
(Terminal-connector for way)

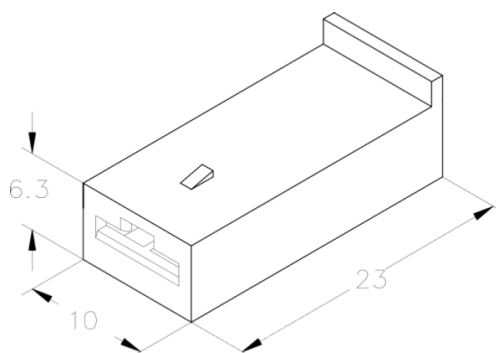
1 st Insertion	15 N Max.
1 st Withdrawal	60 N Min.

Counterpart
(Male-female connector)

Part Nr.	26341**
Insertion	35 N Max.
Withdrawal with dimple	35 N Min.
Withdrawal without dimple	(T.B.D)

Polarization -

Drawing



Approvals



Note: (T.B.D) to be determined

Disclaimer

Data obtained from Escubedo Laboratory essays, using own methodology, cabling, equipment and original crimping tools, done in laboratory conditions and following the indicated standards, errors and omissions excepted. This document has no contractual meaning and it is published only for informative purposes. It can be changed without prior notice. The end customer has the sole responsibility to check these characteristics in its environment and with its own components, manufacturing methods and equipment. See also the full range product overview if available. For further information please visit our web site or contact us.

Rev. Nr.	Concept	Date	Created/Revised	Approved
3	Update datasheet	04/09/2015	D.Martinez / E.Roura	D.Martinez
2	UL Regulation	05/02/2013	D.Martinez	A.Calvet
1	Creation	10/01/2013	D.Martinez	A.Calvet