

2633435

HOUSING 1 WAY FOR 6,3 SERIES FLAG TP SEK - H1 Connector



Description: Flag receptacle housings for H1 Bulb

Part number

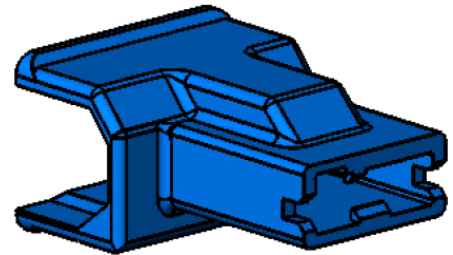
Part nr.	Color	Number of ways	Raw Material type	Heat deflection temperature (1.81 MN/mm ²)	Drawing/ version
2633435	Black	1	PPS	270°C	PT – CT167 / 07

Compatibility (Terminals supported)

Wire size (mm ²)	Part number
0.50÷1.50	5725.xx
1.50÷3.00	5726.xx

Mechanical properties terminal-connector per way

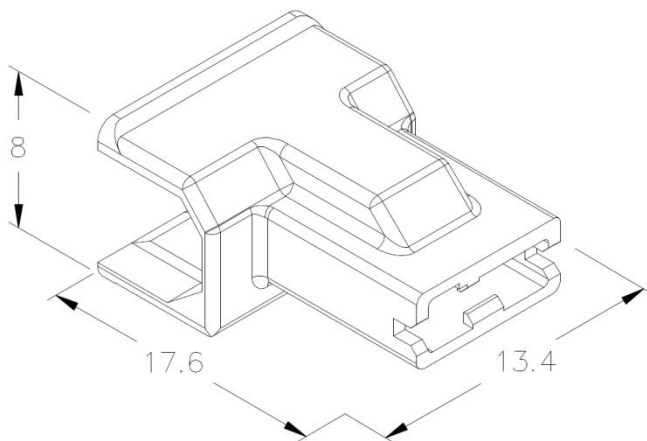
Part nr.	Insertion	Withdrawal ¹
5725.xx + 2633435	30 N Max.	80 N Min.
5726.xx + 2633435	30 N Max.	80 N Min.



Mechanical properties connector-bulb²

Part nr.	Assembly	Disassembly - Extraction force	
		By the connector	By the wires
2633435 –Bulb H1	25 N Max.	10 N Min ÷ 30 N Max.	50 N Min

Drawing



¹ Locking hook destruction

² With terminals

Disclaimer

Data obtained from Escubedo Laboratory essays, using own methodology, cablings, equipment and original crimping tools, done in laboratory conditions and following the indicated standards, errors and omissions excepted. This document has no contractual meaning and it is published only for informative purposes. It can be changed without prior notice. The end customer has the sole responsibility to check these characteristics in its environment and with its own components, manufacturing methods and equipment. See also the full range product overview if available. For further information please visit our web site or contact us

Rev. Nr.	Modification	Date	Created/Revised	Approved
2	Update	01/10/2015	E. Roura/D. Martinez	Joan Carles Sanchez
1	Create	08/02/2006	Marc Garangou	Joan Carles Sanchez