

26321**



6.3 MM (.250) UP-STA 1 WAY RECEPTACLES HOUSING

Description Rear entry standard housing for one wire

Thermal characteristics

Concept / PN.	263210*	263211*
Raw material	PE	PA66
Flammability class ¹	HB	V2
Glow Wire Flammability Index ²	-	850°C
RTI Electrical ³	50°C	130°C



¹ Flammability class UL 94

² IEC 60695-2-12

³ Max Operating Temp

* Colour

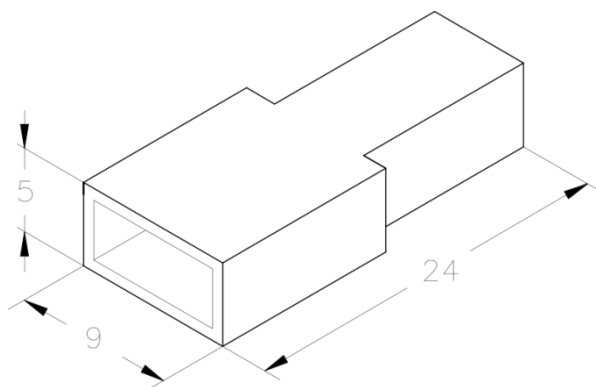
Compatibility
(Terminals supported)

Wire size [mm ²]	PN. 6,3 STA	PN. 6,3 TBI
0,2 – 0,6	4420F**/4541.**	-
0,3 – 0,6	4622.**	-
0,5 – 1,0	4420.**/4540.**/4424.**/4626.**/4520.**/4548.**	4820.**/4840.**
0,5 – 1,5	4646.**	-
1,0 – 2,5	4422***/4542.**/4648.**/4521.**	4822.**/4842.**
2,5 – 6,0	4425.**	4824.**
2,5 – 5,0	4544.**	4844.**

Mechanical properties
(Terminal-connector for way)

1 st . Insertion	5 N Max.
-----------------------------	----------

Drawing



Approvals

Disclaimer

Data obtained from Escubedo Laboratory essays, using own methodology, cablings, equipment and original crimping tools, done in laboratory conditions and following the indicated standards, errors and omissions excepted. This document has no contractual meaning and it is publicized only for informative purposes. It can be changed without prior notice. The end customer has the sole responsibility to check these characteristics in its environment and with its own components, manufacturing methods and equipment. See also the full range product overview if available. For further information please visit our web site or contact us.

Rev. Nr.	Concept	Date	Created/Revised	Approved
1	Creation	27/08/2015	D.Martinez / E.Roura	D.Martinez