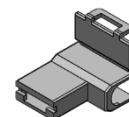


24833**

4.8 (.187) UP-TP FLAG SERIES – FLAG RECEPTACLE HOUSING 1 WAY



Description Flag receptacle housing



Thermal characteristics

Part Number	Raw Material	Flammability Class (UL 94)	GWT 750°C NF	Glow Wire Flammability Index (IEC60695-2-12)	RTI Electrical (Max. Operating Temp.)
248331*	PA66	V2	No	850 °C	65 °C
248333*	PA66/6	V0	No	960 °C	140 °C
248334*	PA	NF	Yes	960 °C	65 °C
248335*	STANYL	V2	No	850 °C	(T.B.D.)

* Colour

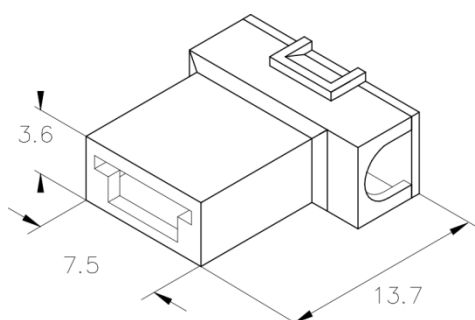
Compatibility (Terminals supported)

Wire size (mm ²)	For Tab 4.8*0.3	For Tab 4.8*0.5	For Tab 4.8*0.8
0.3 – 0.75	5818.**	5817.**	5819.**
0.5 – 1.50	-	5812.**/5813.**	5814.**/5814C**/5815.**

Mechanical properties (Terminal-connector for way)

1 st . Insertion	15 N Max.
1 st . Withdrawal primary lock	50 N Min.
1 st . Withdrawal primary+secondary lock	100 N Min.

Drawing



Note: (T.B.D) to be determined

Disclaimer

Data obtained from Escubedo Laboratory essays, using own methodology, cabling, equipment and original crimping tools, done in laboratory conditions and following the indicated standards, errors and omissions excepted. This document has no contractual meaning and it is publicized only for informative purposes. It can be changed without prior notice. The end customer has the sole responsibility to check these characteristics in its environment and with its own components, manufacturing methods and equipment. See also the full range product overview if available. For further information please visit our web site or contact us.

Rev. Nr.	Concept	Date	Created/Revised	Approved
2	Update	23/05/2014	D.Martinez	Joan Carles Sanchez
3	Sheet format update	10/12/2015	D.Martinez/E.Roura	X.Menac
4	Add GWT 750°C NF	18/02/2016	D.Martinez/E.Roura	X.Menac