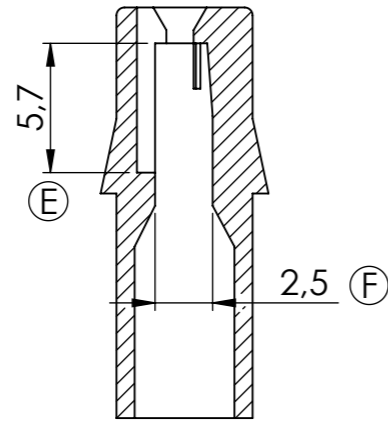
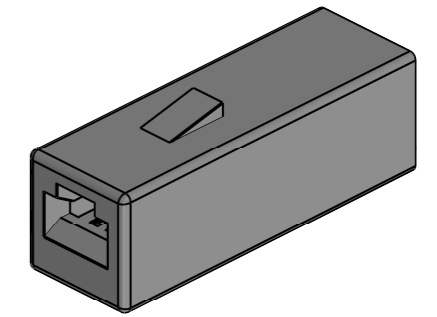
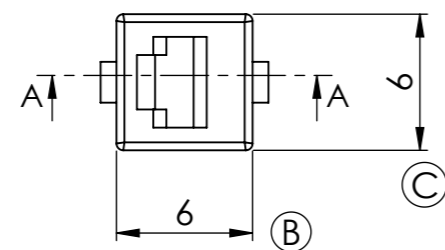
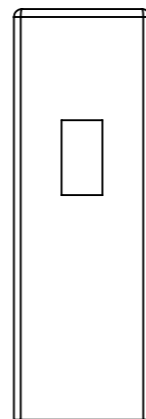
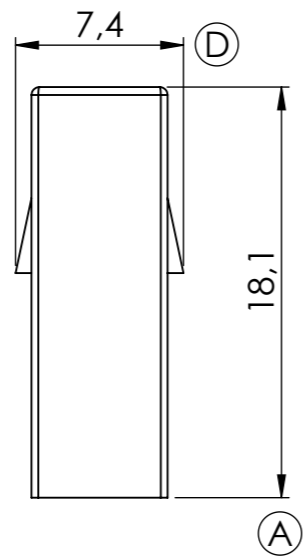
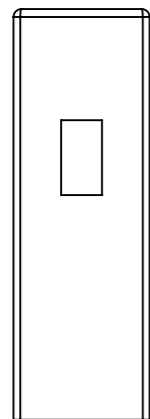


SECTION B-B



SECTION A-A



2285040	Natural	PANF	1W	03	O.Roura	Update dimensions, add. section BB	16/09/22
2285030		PAV0		02	—	Añ.2285030	26/07/11
2285010		PA66V2		01	—	Añ.2285040	19/02/09
Part Number	Finish	Material	Ways	Rev	Name	Modification	Date
				<b>RECEPTACLE FOR CONNECTOR SERIES 2.8</b>			
DRAWN	I.Gasull	08/01/99	MATERIAL STANDARDS	DIMENSIONAL STANDARDS	GENERAL TOLERANCES	FORMAT	A3h
REVISD	F.Adamuz	08/01/99	Special	Special	±0.25	DRAWING	PT-C084
SCALE	3:1					REF.	22850xx