



**RS5412\*\*-K**

**6.3 (.250) TYPE SERIES · RECEPTACLES**

**SELF-LOCKING RECEPTACLES. LOW INSERTION TERMINALS.**



**Specification** RAST 5 Crimp Connect Connectors Self-locking

**Ways** 2

**Thermal Characteristics**

Part nr.	Raw material	Color	Flammability Class (UL 94)	Glow Wire Test (GWT) (IEC60695-2-11)	Glow Wire Flammability Index (IEC60695-2-12)	RTI electrical (Max. Operating Temp.)
RS541210-K	PA66V2	Natural	V2	(T.B.D.)	850°C	105°C
RS541230-K	PA66V0	Natural	V0	(T.B.D.)	960°C	140°C
RS541240-K	NO FLAME	Natural	V2	(T.B.D.)	960°C	130°C

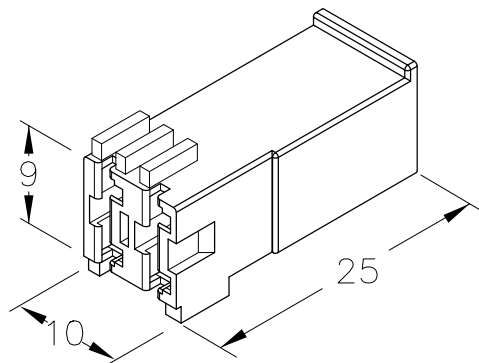
For other materials and colors ask to: info@escubedo.com

**Compatible terminals** 4935.\*\*, 4935S\*\*, 4937.\*\*, 4937S\*\*, 4939.\*\*, 4939S\*\*, 4941.\*\*, 4941S\*\*, 4943.\*\*, 4943S\*\*

**Insertion / Withdrawal forces**

	RS541210-K / 30 / 40
1st Insertion (max, connector-receptacle)	25N
1st Withdrawal (min, connector-receptacle)	60N

**Drawing**



(T.B.D.): To be determined

**Disclaimer**

Data obtained from Escubedo Laboratory essays, using own methodology, cablings, equipment and original crimping tools, done in laboratory conditions and following the indicated standards, errors and omissions excepted. This document has no contractual meaning and it is publicised only for informative purposes. It can be changed without prior notice. The end customer has the sole responsibility to check these characteristics in its environment and with its own components, manufacturing methods and equipment. See also the full range product overview if available. For further information please visit our web site or contact us

Rev. Nr.	Concept	Date	Created/Revised	Approved
A1	Datasheet generated automatically [A1]	2019-02-18	Laboratory Dept.	Laboratory Dept.