



8710.**
UP-MOD 3.96 · RECEPTACLES FOR CONNECTOR



Specification 3.96 mm Receptacles

Wire size mm² (AWG) 0,5-1 (20-18)

Ø Insulation (mm) 2-2,8

Materials, temperature and contact resistance

Part nr.	Material	Finishing	Max. Temp. (°C)
8710.31	Bronze	Pre-tin-plated	130

Material thickness (mm) 0,25

Application tool MN8702

Crimping parameters & pull out force

Wire section (±10%)	Conductor		Insulator	Pull-out force (N)
	Height (mm)	Width (mm)		
0.50 mm ²	1.05 (±0.03)	1.75 (±0.03)	1.92 (±0.10)	56N @ 60s
0.75 mm ²	1.15 (±0.05)	1.76 (±0.05)	2.00 (±0.10)	84N @ 60s
1.00 mm ²	1.25 (±0.05)	1.77 (±0.05)	2.13 (±0.10)	108N @ 60s

Values only valid for the application tool specified upwards. The insulator widths are only indicative as they are dependent on the sheath thickness of the wire used.

Winding number 6500

Compatible connectors 24002**, 24004**, 24006**, 24008**, 24010**, 24012**, 24102**, 24104**, 24106**, 24108**, 24110**, 24112**

Approved regulations

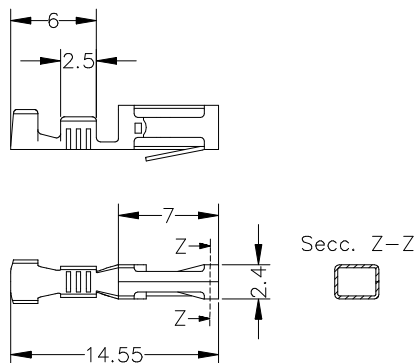
Part nr.	Approval	Standard	File	Certified framework
8710.31 ¹	UL	UL 1977	E222213	AWG 20-18 / MN8702

¹ Cat. No. meets with the standard UL1977 as a component of UP-MOD full connection system.
Rated current and voltage:
5A/250V (USR, CND)

Approvals



Drawing





8710.**

UP-MOD 3.96 · RECEPTACLES FOR CONNECTOR



Disclaimer

Data obtained from Escubedo Laboratory essays, using own methodology, cablings, equipment and original crimping tools, done in laboratory conditions and following the indicated standards, errors and omissions excepted. This document has no contractual meaning and it is publised only for informative purposes. It can be changed without prior notice. The end customer has the sole responsibility to check these characteristics in its environment and with its own components, manufacturing methods and equipment. See also the full range product overview if available. For further information please visit our web site or contact us

Rev. Nr.	Concept	Date	Created/Revised	Approved
A2	UL File correction	2019-06-26	Laboratory Dept.	E. Roura
A1	Datasheet generated automatically [A1]	2019-02-21	Laboratory Dept.	E. Roura