

8522.** STANDARD UP-LOK · RECEPTACLES FOR CONNECTOR



Specification Receptacles

Ø (mm) 2,12

Wire size mm² (AWG) 0,5-2,1 (20-14)

Ø Insulation (mm) 1,5-3,3

Counterpart 7520.**, 7522.**, 7524.**, 7526.**

Materials, temperature and contact resistance

Part nr.	Material	Finishing	Max. Temp. (°C)
8522.00	Brass	Natural	110
8522.01	Brass	Pre-tin-plated	120
8522.30	Bronze	Natural	120
8522.31	Bronze	Pre-tin-plated	130

Material thickness (mm) 0,3

Insertion / Withdrawal forces


	8522.00 / 01 / 30 / 31
1st Insertion (max, split pin)	12N ¹
1st Insertion (max, solid pin)	17N ¹
1st Withdrawal (min, solid pin)	5N ¹
1st Withdrawal (min, split pin)	4N ¹

¹ Valid for 7520.xx/7524.xx

Application tool MN7522

Wire strip length 3.8 (±0.3) mm

Crimping parameters & pull out force

Wire section (±10%)	Conductor 		Insulator Width (mm)	Pull-out force (N)
	Height (mm)	Width (mm)		
0.50 mm ²	1.41 (±0.03)	2.34 (±0.03)	3.60 (±0.10)	56N @ 60s
0.75 mm ²	1.51 (±0.05)	2.35 (±0.05)	3.56 (±0.10)	84N @ 60s
1.00 mm ²	1.55 (±0.05)	2.35 (±0.05)	3.57 (±0.10)	108N @ 60s
1.50 mm ²	1.60 (±0.05)	2.37 (±0.05)	3.58 (±0.10)	150N @ 60s
2.00 mm ²	1.69 (±0.05)	2.38 (±0.05)	3.60 (±0.10)	150N @ 60s

Values only valid for the application tool specified upwards. The insulator widths are only indicative as they are dependent on the sheath thickness of the wire used.

Winding number 6000

Compatible connectors 22112**, 22113**, 22115**, 22116**, 22119**, 22132**, 22135**, 22141**, 22142**, 22143**, 22144**, 22145**, 22146**, 22147**, 22149**, 22151**, 22152**, 22153**, 22154**, 22155**, 22156**, 22157**, 22159**, 22162**, 22165**, 22172**, 22175**

8522.** STANDARD UP-LOK · RECEPTACLES FOR CONNECTOR



Approved regulations

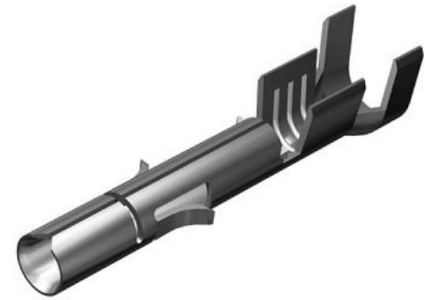
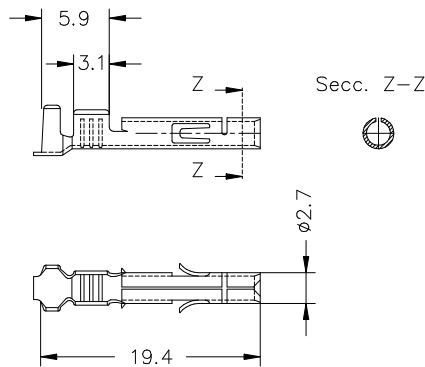
Part nr.	Approval	Standard	File	Certified framework
8522.00 ¹	UL	UL 1977	E223221	AWG 20-14 (10-41 Stranded Cu) / MN8522
8522.01 ¹	UL	UL 1977	E223221	AWG 20-14 (10-41 Stranded Cu) / MN8522
8522.30 ¹	UL	UL 1977	E223221	AWG 20-14 (10-41 Stranded Cu) / MN8522
8522.31 ¹	UL	UL 1977	E223221	AWG 20-14 (10-41 Stranded Cu) / MN8522

¹ Cat. No. meets with the standard UL1977 as a component of UP-LOK full connection system.
 Rated voltage and current
 7522.01/8522.01 - AWG 14 - 16A/400V (USR) - 8A/400V (CNR)
 7522.01/8522.01 - AWG 20 - 8A/400V (USR) - 5A/400V (CNR)
 7526.01/8522.01 - AWG 14 - 16A/400V (USR) - 8A/400V (CNR)
 7526.01/8522.01 - AWG 20 - 8A/400V (USR) - 5A/400V (CNR)

Approvals



Drawing



Disclaimer

Data obtained from Escubedo Laboratory essays, using own methodology, cablings, equipment and original crimping tools, done in laboratory conditions and following the indicated standards, errors and omissions excepted. This document has no contractual meaning and it is publicised only for informative purposes. It can be changed without prior notice. The end customer has the sole responsibility to check these characteristics in its environment and with its own components, manufacturing methods and equipment. See also the full range product overview if available. For further information please visit our web site or contact us

Rev. Nr.	Concept	Date	Created/Revised	Approved
A5	Approved regulations - Correction	2022-09-22	Laboratory Dept.	E. Roura (Laboratory Dept.)
A4	Change company name and logo	2021-10-21	Laboratory Dept.	E. Roura (Laboratory Dept.)
A3	Update Wire strip length	2021-10-21	Laboratory Dept.	E. Roura (Laboratory Dept.)
A2	Update UL regulation	2019-02-20	Laboratory Dept.	E. Roura
A1	Datasheet generated automatically [A1]	2018-08-10	Laboratory Dept.	E. Roura

Escubedo Connection Systems, S.A.U. · Ctra. de Girona-Olot Km. 35,5 · 17843 Riudellots de la Creu · Girona · Spain
 Tel.: 34 972 171 706 · Fax: +34 972 171 714 · info@escubedo.com · www.escubedo.com