



8501.**
CYLINDRICAL TERMINALS · RECEPTACLES



Specification Standard Terminals

Ø (mm) 1,35

Wire size mm² (AWG) 0,3-0,6 (22-20)

Ø Insulation (mm) 1,65 Max

Materials, temperature and contact resistance


Part nr.	Material	Finishing	Max. Temp. (°C)
8501.00	Brass	Natural	110
8501.02	Brass	Tin plated	120

Material thickness (mm) 0,3

Application tool MN8501

Wire strip length 3.5 (±0.3) mm

Crimping parameters & pull out force

Wire section (±10%)	Conductor 		Insulator	Pull-out force (N)
	Height (mm)	Width (mm)	Width (mm)	
0.30 mm ²	1.00 (±0.03)	1.65 (±0.03)	2.00 (±0.10)	28N @ 60s
0.50 mm ²	1.10 (±0.03)	1.68 (±0.03)	2.00 (±0.10)	56N @ 60s
0.60 mm ²	1.15 (±0.05)	1.69 (±0.05)	2.00 (±0.10)	56N @ 60s

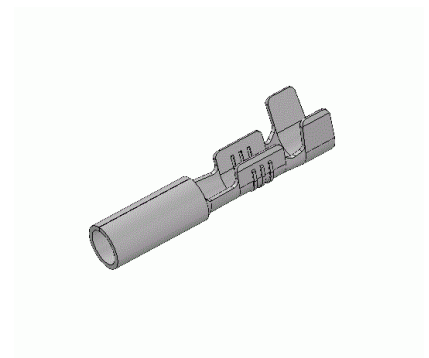
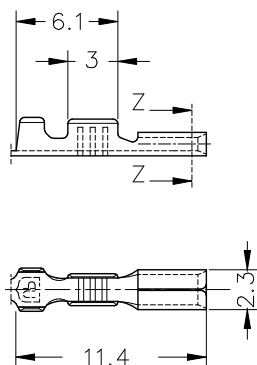
Values only valid for the application tool specified upwards. The insulator widths are only indicative as they are dependent on the sheath thickness of the wire used.

Winding number 17000

Approvals



Drawing





8501.**

CYLINDRICAL TERMINALS · RECEPTACLES



Disclaimer

Data obtained from Escubedo Laboratory essays, using own methodology, cablings, equipment and original crimping tools, done in laboratory conditions and following the indicated standards, errors and omissions excepted. This document has no contractual meaning and it is publicised only for informative purposes. It can be changed without prior notice. The end customer has the sole responsibility to check these characteristics in its environment and with its own components, manufacturing methods and equipment. See also the full range product overview if available. For further information please visit our web site or contact us

Rev. Nr.	Concept	Date	Created/Revised	Approved
A1	Datasheet generated automatically [A1]	2018-10-04	Laboratory Dept.	E. Roura

Especialitats Elèctriques Escubedo S.A.U. · Ctra. de Girona-Olot Km. 35,5 · 17843 Riudellots de la Creu · Girona · Spain
Tel.: 34 972 171 706 · Fax: +34 972 171 714 · info@escubedo.com · www.escubedo.com