

5248.** 6.3 (.250) TYPE SERIES · FLAG MALE TERMINALS



For male (mm) 6,3x0,8

Wire size mm² (AWG) 2,5-5 (14-10)

Ø Insulation (mm) 3,8-5,1

Materials, temperature and contact resistance

Part nr.	Material	Finishing	Max. Temp. (°C)
5248.00	Brass	Natural	110
5248.01	Brass	Pre-tin-plated	120
5248.24	Steel	Nickel-plated	300

Material thickness (mm) 0,4

Max. rated current

Wire section	5248.00 / 01 / 24
2.50 mm ²	20A
3.00 mm ²	20A
4.00 mm ²	26A
5.00 mm ²	26A

Insertion / Withdrawal forces


	5248.00	5248.01 / 24
1st Insertion (max)	35N ¹	35N ¹
1st Withdrawal (max)	60N ¹	60N ¹
1st Withdrawal (min)	27N ¹	22N ¹
6th Withdrawal (min)	22N ¹	18N ¹

¹ Valid for Natural Brass Tab

Application tool MN5248

Wire strip length 5.0 (±0.5) mm

Crimping parameters & pull out force

Wire section (±10%)	Conductor 		Pull-out force (N)
	Height (mm)	Width (mm)	
2.50 mm ²	1.85 (±0.05)	3.68 (±0.05)	(230N @ 60s)
3.00 mm ²	1.95 (±0.05)	3.70 (±0.05)	(T.B.D.)
4.00 mm ²	2.20 (±0.05)	3.72 (±0.05)	(310N @ 60s)
5.00 mm ²	2.40 (±0.05)	3.74 (±0.05)	(T.B.D.)

Values only valid for the application tool specified upwards. The insulator widths are only indicative as they are dependent on the sheath thickness of the wire used.

Winding number 1500

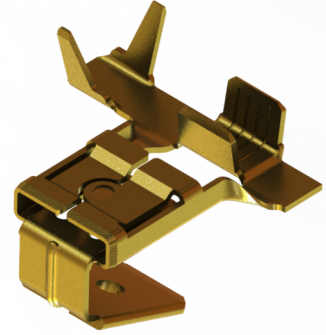
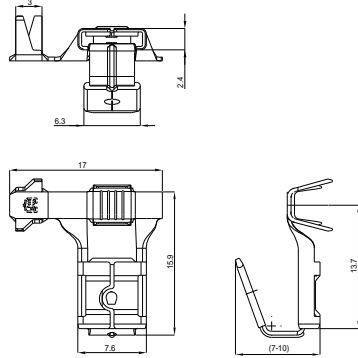
Approvals



5248.**
6.3 (.250) TYPE SERIES · FLAG MALE TERMINALS



Drawing



(T.B.D.): To be determined

Disclaimer

Data obtained from Escubedo Laboratory essays, using own methodology, cabling, equipment and original crimping tools, done in laboratory conditions and following the indicated standards, errors and omissions excepted. This document has no contractual meaning and it is publicised only for informative purposes. It can be changed without prior notice. The end customer has the sole responsibility to check these characteristics in its environment and with its own components, manufacturing methods and equipment. See also the full range product overview if available. For further information please visit our web site or contact us

Rev. Nr.	Concept	Date	Created/Revised	Approved
A1	Datasheet generated automatically [A1]	2022-10-11	D. Yabar (Engineering Dept.)	E. Roura (Laboratory Dept.)

Escubedo Connection Systems, S.A.U. · Ctra. de Girona-Olot Km. 35,5 · 17843 Riudellots de la Creu · Girona · Spain
Tel.: 34 972 171 706 · Fax: +34 972 171 714 · info@escubedo.com · www.escubedo.com