



4813E**
4.8 (.187) TYPE SERIES · RECEPTACLES



Specification Low insertion

For male (mm) 4,8x0,5

Wire size mm² (AWG) 0,5-1,5 (20-16)

Ø Insulation (mm) 1,8-2,5

Materials, temperature and contact resistance

| Part nr. | Material | Finishing | Max. Temp. (°C) | Contact Resist (mΩ) |
|----------|---------------|----------------|-----------------|---------------------|
| 4813E00 | Brass | Natural | 110 | 0.95 |
| 4813E01 | Brass | Pre-tin-plated | 120 | 0.70 |
| 4813E24 | Steel | Nickel-plated | 300 | (T.B.D.) |
| 4813E30 | Bronze | Natural | 120 | (T.B.D.) |
| 4813E31 | Bronze | Pre-tin-plated | 130 | (T.B.D.) |
| 4813E70 | German Silver | Natural | 210 | (T.B.D.) |

Material thickness (mm) 0,35

Max. rated current

| Wire section | 4813E00 / 01 / 24 / 30 / 31 / 70 |
|----------------------|----------------------------------|
| 0.50 mm ² | 8A |
| 0.75 mm ² | 10A |
| 1.00 mm ² | 12A |
| 1.50 mm ² | 16A |

Insertion / Withdrawal forces


| | 4813E00 / 01 / 24 / 30 / 31 / 70 |
|----------------------|----------------------------------|
| 1st Insertion (max) | 25N ¹ |
| 1st Withdrawal (max) | 50N ¹ |
| 1st Withdrawal (min) | 22N ¹ |
| 6th Withdrawal (min) | 13N ¹ |

¹ Valid for Natural Brass Tab

Application tool MN4815E

Wire strip length 4.4 (±0.5) mm

Crimping parameters & pull out force

| Wire section (±10%) | Conductor  | | Insulator | Pull-out force (N) |
|----------------------|---|--------------|--------------|--------------------|
| | Height (mm) | Width (mm) | Width (mm) | |
| 0.50 mm ² | 1.30 (±0.03) | 2.36 (±0.03) | 3.13 (±0.10) | 56N @ 60s |
| 0.75 mm ² | 1.40 (±0.05) | 2.37 (±0.05) | 3.13 (±0.10) | 84N @ 60s |
| 1.00 mm ² | 1.50 (±0.05) | 2.39 (±0.05) | 3.14 (±0.10) | 108N @ 60s |
| 1.50 mm ² | 1.65 (±0.05) | 2.40 (±0.05) | 3.15 (±0.10) | 150N @ 60s |

Values only valid for the application tool specified upwards. The insulator widths are only indicative as they are dependent on the sheath thickness of the wire used.

Winding number 10000

Compatible connectors 24814**

Approved regulations

| Part nr. | Approval | Standard | File | Certified framework |
|----------|----------|----------|---------|---|
| 4813E00 | UL | UL 310 | E211727 | AWG 20-16 (10-26 Stranded Cu) / MN4813E |
| 4813E01 | UL | UL 310 | E211727 | AWG 20-16 (10-26 Stranded Cu) / MN4813E |



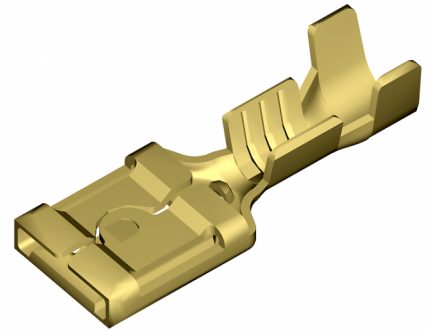
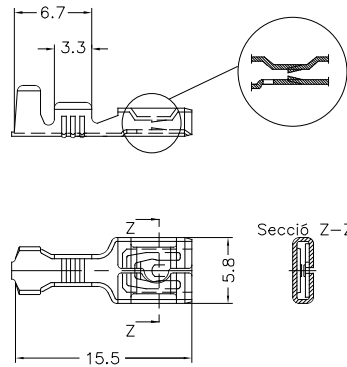
4813E**
4.8 (.187) TYPE SERIES · RECEPTACLES



Approvals



Drawing

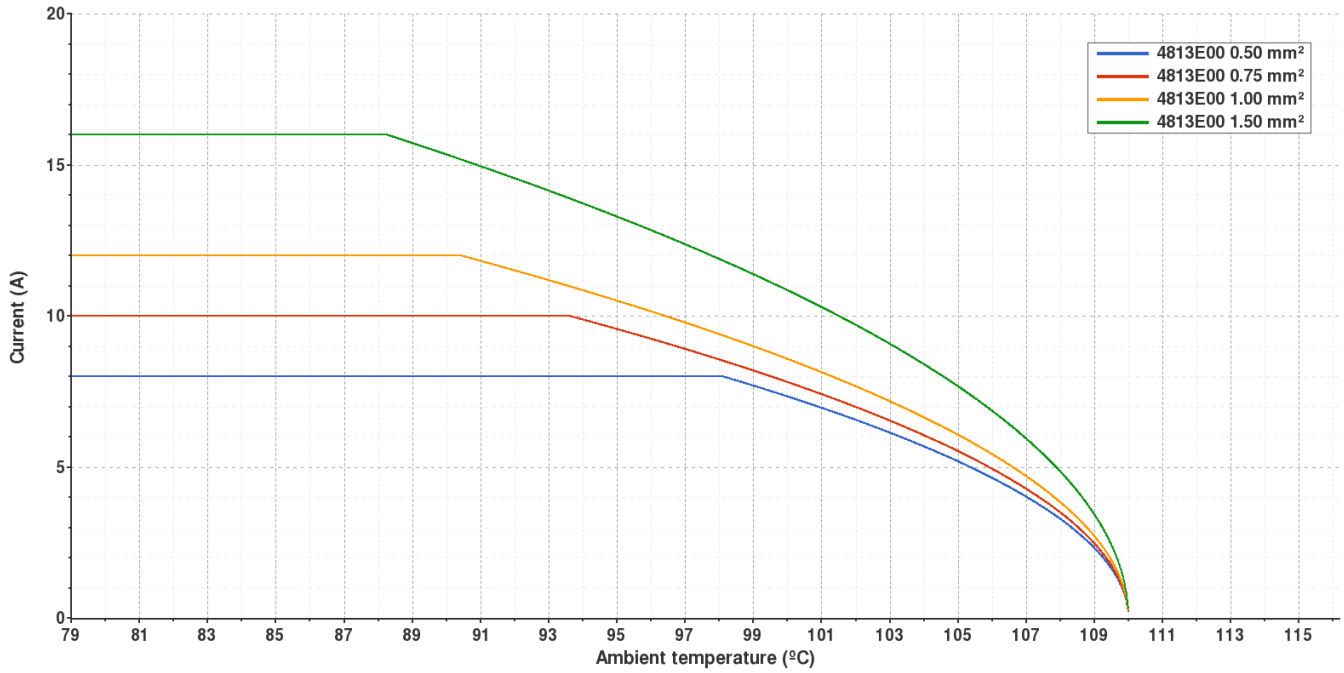




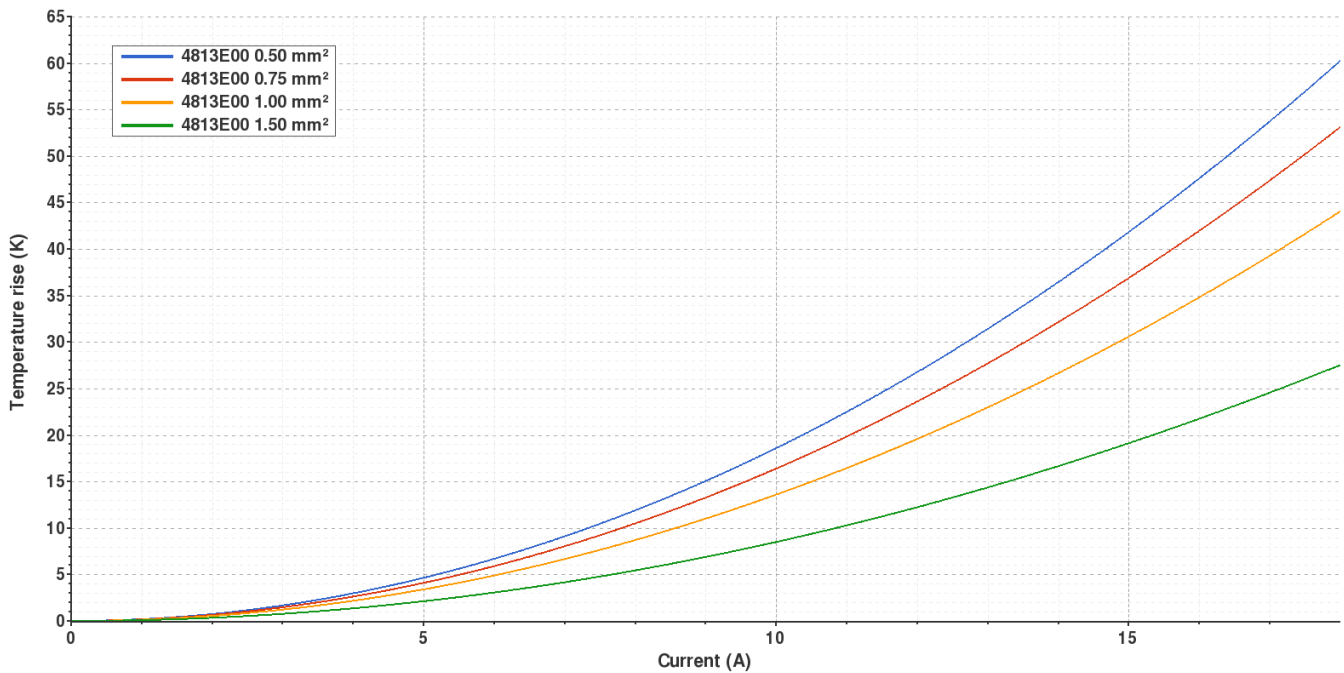
4813E00 NATURAL BRASS
4.8 (.187) TYPE SERIES · RECEPTACLES



Derating curve Current carrying capacity vs. Ambient temperature



Temperature rise curve Terminal temperature rise due to the current carried



Valid for Natural Brass Tab



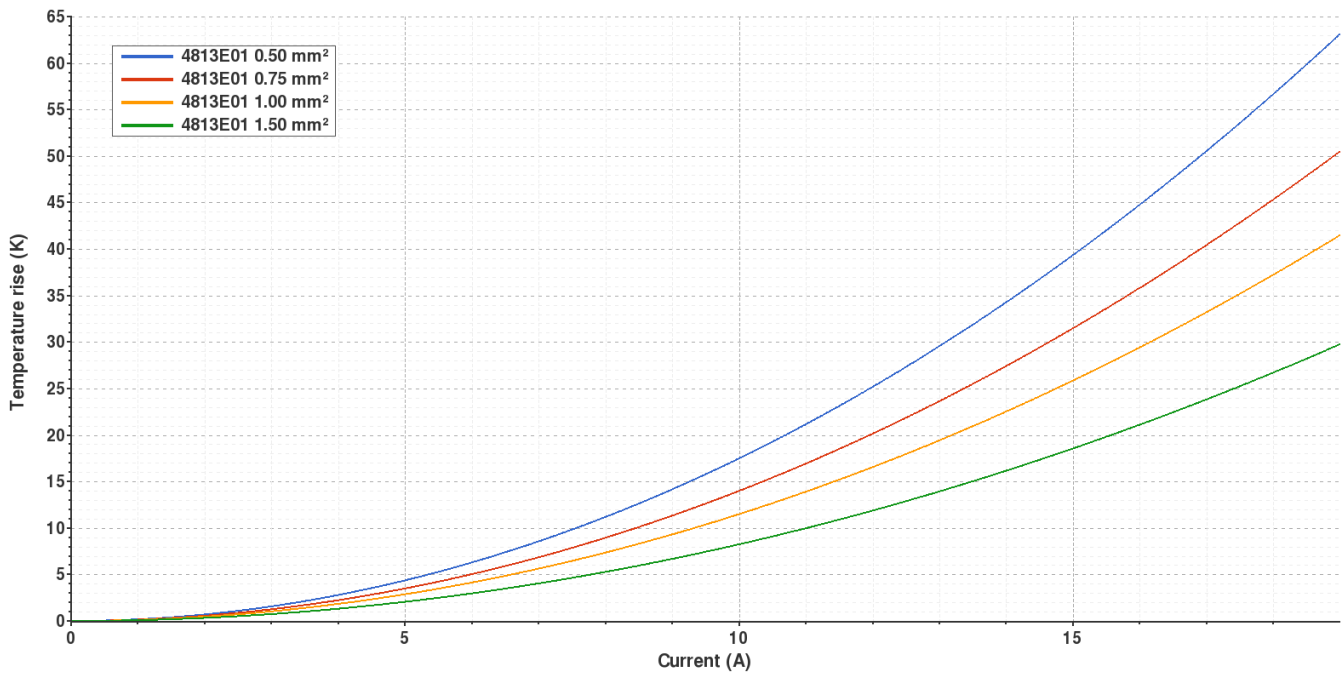
4813E01 PRE-TIN-PLATED BRASS
4.8 (.187) TYPE SERIES · RECEPTACLES



Derating curve Current carrying capacity vs. Ambient temperature



Temperature rise curve Terminal temperature rise due to the current carried



Valid for Natural Brass Tab



4813E**
4.8 (.187) TYPE SERIES · RECEPTACLES



(T.B.D.): To be determined

Disclaimer

Data obtained from Escubedo Laboratory essays, using own methodology, cablings, equipment and original crimping tools, done in laboratory conditions and following the indicated standards, errors and omissions excepted. This document has no contractual meaning and it is publicised only for informative purposes. It can be changed without prior notice. The end customer has the sole responsibility to check these characteristics in its environment and with its own components, manufacturing methods and equipment. See also the full range product overview if available. For further information please visit our web site or contact us

| Rev. Nr. | Concept | Date | Created/Revised | Approved |
|----------|--|------------|-----------------|----------|
| A1 | Datasheet generated automatically [A1] | 2019-02-27 | Lab. Dept. | E. Roura |

Especialitats Elèctriques Escubedo S.A.U. · Ctra. de Girona-Olot Km. 35,5 · 17843 Riudellots de la Creu · Girona · Spain
Tel.: 34 972 171 706 · Fax: +34 972 171 714 · info@escubedo.com · www.escubedo.com