

4811E** 2.8 (.110) TYPE SERIES · RECEPTACLES



Specification Low insertion

Description Low insertion receptacle for DIN tabs.

For male (mm) 2,8x0,8

Din Esp

Wire size mm² (AWG) 0,5-1 (20-18)

Ø Insulation (mm) 1,8-3,3

Materials, temperature and contact resistance

Part nr.	Material	Finishing	Max. Temp. (°C)
4811E00	Brass	Natural	110
4811E01	Brass	Pre-tin-plated	120
4811E02	Brass	Tin plated	120
4811E24	Steel	Nickel-plated	300
4811E30	Bronze	Natural	120
4811E31	Bronze	Pre-tin-plated	130
4811E32	Bronze	Tin plated	130

Material thickness (mm) 0,3

Max. rated current

Wire section	4811E00 / 02 / 24 / 30 / 31 / 32	4811E01
0.50 mm ²	(T.B.D.)	6A
0.75 mm ²	(T.B.D.)	8A
1.00 mm ²	(T.B.D.)	8A

Insertion / Withdrawal forces


	4811E01 / 02 / 24 / 30 / 31 / 32
1st Insertion (max)	20N ¹
1st Withdrawal (max)	40N ¹
1st Withdrawal (min)	13N ¹
6th Withdrawal (min)	9N ¹

¹ Valid for Natural Brass Tab

Application tool MN4809

Wire strip length 3.7 (±0.5) mm

Crimping parameters & pull out force

Wire section (±10%)	Conductor 		Insulator	Pull-out force (N)
	Height (mm)	Width (mm)	Width (mm)	
0.50 mm ²	1.25 (±0.03)	2.05 (±0.03)	3.05 (±0.10)	56N @ 60s
0.75 mm ²	1.40 (±0.05)	2.06 (±0.05)	3.05 (±0.10)	84N @ 60s
1.00 mm ²	1.45 (±0.05)	2.08 (±0.05)	3.06 (±0.10)	108N @ 60s

Values only valid for the application tool specified upwards. The insulator widths are only indicative as they are dependent on the sheath thickness of the wire used.

Winding number 15000

Compatible connectors 22814**, 22815**, 22816**

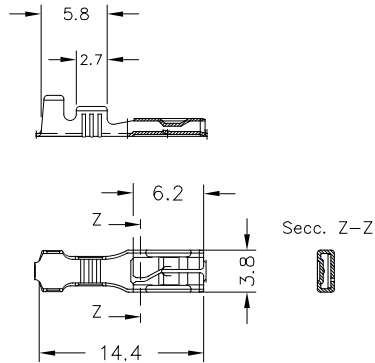
4811E** 2.8 (.110) TYPE SERIES · RECEPTACLES



Approvals



Drawing



(T.B.D.): To be determined

Disclaimer

Data obtained from Escubedo Laboratory essays, using own methodology, cablings, equipment and original crimping tools, done in laboratory conditions and following the indicated standards, errors and omissions excepted. This document has no contractual meaning and it is publicised only for informative purposes. It can be changed without prior notice. The end customer has the sole responsibility to check these characteristics in its environment and with its own components, manufacturing methods and equipment. See also the full range product overview if available. For further information please visit our web site or contact us

Rev. Nr.	Concept	Date	Created/Revised	Approved
A4	Change company name and logo	2021-10-21	Laboratory Dept.	E. Roura
A3	Update datasheet (Specification)	2018-07-13	Laboratory Dept.	E. Roura
A2	Update drawing	2018-06-26	Engineering dept.	V.Roura
A1	Datasheet created automatically [A1]	2018-06-25	Engineering Dept.	X. Menac

Escubedo Connection Systems, S.A.U. · Ctra. de Girona-Olot Km. 35,5 · 17843 Riudellots de la Creu · Girona · Spain
 Tel.: 34 972 171 706 · Fax: +34 972 171 714 · info@escubedo.com · www.escubedo.com