

4608.** 2.8 (.110) TYPE SERIES · RECEPTACLES



Specification For standard tabs. Rear dimple

For male (mm) 2,8x0,8

Din Esp

Wire size mm² (AWG) 0,5-1 (20-18)

Ø Insulation (mm) 1,8-2,5

Materials, temperature and contact resistance

| Part nr. | Material | Finishing | Max. Temp. (°C) |
|----------|----------|----------------|-----------------|
| 4608.00 | Brass | Natural | 110 |
| 4608.01 | Brass | Pre-tin-plated | 120 |
| 4608.30 | Bronze | Natural | 120 |
| 4608.31 | Bronze | Pre-tin-plated | 130 |

Material thickness (mm) 0,3

Max. rated current

| Wire section | 4608.00 / 01 / 30 / 31 |
|----------------------|------------------------|
| 0.50 mm ² | 6A |
| 0.75 mm ² | 8A |
| 1.00 mm ² | 8A |

Insertion / Withdrawal forces


| | 4608.00 / 01 / 30 / 31 |
|-----------------------|------------------------|
| 1st Insertion (max) | 40N ¹ |
| 1st Withdrawal (max) | 40N ¹ |
| 10th Withdrawal (min) | 6N ¹ |

¹ Valid for Natural Brass Tab

Application tool MN4107

Wire strip length 3.5 (±0.5) mm

Crimping parameters & pull out force

| Wire section (±10%) | Conductor  | | Insulator | Pull-out force (N) |
|------------------------|---|--------------|--------------|-----------------------|
| | Height (mm) | Width (mm) | Width (mm) | |
| 0.50 mm ² | 1.15 (±0.03) | 2.02 (±0.03) | 3.11 (±0.10) | 56N @ 60s |
| 0.75 mm ² | 1.25 (±0.05) | 2.04 (±0.05) | 3.13 (±0.10) | 84N @ 60s |
| 1.00 mm ² | 1.35 (±0.05) | 2.05 (±0.05) | 3.15 (±0.10) | 108N @ 60s |

Values only valid for the application tool specified upwards. The insulator widths are only indicative as they are dependent on the sheath thickness of the wire used.

Winding number 7000

Compatible connectors 22810**, 22811**, 22812**, 22820**

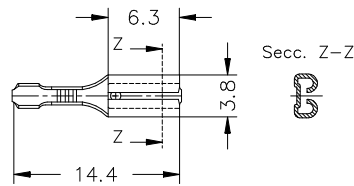
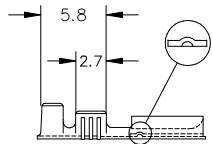
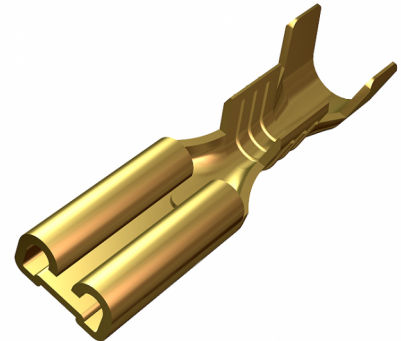
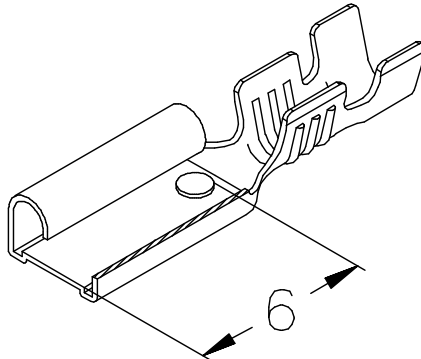
Approvals



4608.**
2.8 (.110) TYPE SERIES · RECEPTACLES



Drawing



Disclaimer

Data obtained from Escubedo Laboratory essays, using own methodology, cablings, equipment and original crimping tools, done in laboratory conditions and following the indicated standards, errors and omissions excepted. This document has no contractual meaning and it is publicised only for informative purposes. It can be changed without prior notice. The end customer has the sole responsibility to check these characteristics in its environment and with its own components, manufacturing methods and equipment. See also the full range product overview if available. For further information please visit our web site or contact us

| Rev. Nr. | Concept | Date | Created/Revised | Approved |
|----------|--|------------|-----------------|----------|
| A3 | Change company name and logo | 2021-10-21 | Laboratoy Dept. | E. roura |
| A2 | Update datasheet (Specification, Ø (mm)) | 2018-07-13 | Laboratoy Dept. | E. roura |
| A1 | Datasheet generated automatically [A1] | 2018-05-23 | Lab. Dept. | E. Roura |

Escubedo Connection Systems, S.A.U. · Ctra. de Girona-Olot Km. 35,5 · 17843 Riudellots de la Creu · Girona · Spain
Tel.: 34 972 171 706 · Fax: +34 972 171 714 · info@escubedo.com · www.escubedo.com