

## 4410.\*\* 2.8 (.110) TYPE SERIES · RECEPTACLES



**Specification** For standard tabs. Rear dimple

**For male (mm)** 2,8x0,8

**Din** Esp

**Wire size mm<sup>2</sup> (AWG)** 0,5-1 (20-18)

**Ø Insulation (mm)** 1,8-2,5

**Materials, temperature and contact resistance**

Part nr.	Material	Finishing	Max. Temp. (°C)
4410.00	Brass	Natural	110
4410.02	Brass	Tin plated	120
4410.04	Brass	Nickel-plated	130
4410.30	Bronze	Natural	120
4410.32	Bronze	Tin plated	130

**Material thickness (mm)** 0,25

**Max. rated current**

Wire section	4410.00 / 02 / 04 / 30 / 32
0.50 mm <sup>2</sup>	6A
0.75 mm <sup>2</sup>	8A
1.00 mm <sup>2</sup>	8A

**Insertion / Withdrawal forces**


	4410.00 / 02 / 04 / 30 / 32
1st Insertion (max)	35N <sup>1</sup>
1st Withdrawal (max)	40N <sup>1</sup>
1st Withdrawal (min)	13N <sup>1</sup>
6th Withdrawal (min)	9N <sup>1</sup>

<sup>1</sup> Valid for Natural Brass Tab

**Application tool** MN4410

**Wire strip length** 3.8 (±0.5) mm

**Crimping parameters & pull out force**

Wire section (±10%)	Conductor 		Insulator	Pull-out force (N)
	Height (mm)	Width (mm)	Width (mm)	
0.50 mm <sup>2</sup>	1.00 (±0.03)	2.04 (±0.03)	3.01 (±0.10)	56N @ 60s
0.75 mm <sup>2</sup>	1.10 (±0.05)	2.05 (±0.05)	3.01 (±0.10)	84N @ 60s
1.00 mm <sup>2</sup>	1.20 (±0.05)	2.06 (±0.05)	3.02 (±0.10)	108N @ 60s

Values only valid for the application tool specified upwards. The insulator widths are only indicative as they are dependent on the sheath thickness of the wire used.

**Winding number** 15000

**Compatible connectors** 22810\*\*, 22811\*\*, 22812\*\*, 22820\*\*

**Approved regulations**

Part nr.	Approval	Standard	File	Certified framework
4410.00	UL	UL 310	E211727	AWG 20-18 (10-16 Stranded Cu) / MN4410
4410.02	UL	UL 310	E211727	AWG 20-18 (10-16 Stranded Cu) / MN4410

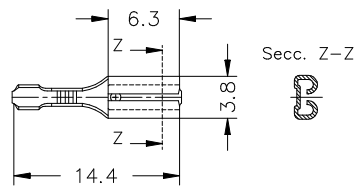
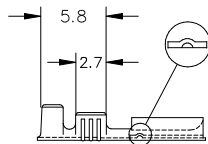
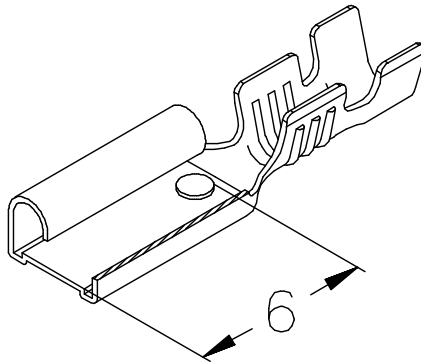
**4410.\*\***  
**2.8 (.110) TYPE SERIES · RECEPTACLES**



**Approvals**



**Drawing**



**Disclaimer**

Data obtained from Escubedo Laboratory essays, using own methodology, cablings, equipment and original crimping tools, done in laboratory conditions and following the indicated standards, errors and omissions excepted. This document has no contractual meaning and it is publicised only for informative purposes. It can be changed without prior notice. The end customer has the sole responsibility to check these characteristics in its environment and with its own components, manufacturing methods and equipment. See also the full range product overview if available. For further information please visit our web site or contact us

Rev. Nr.	Concept	Date	Created/Revised	Approved
A2	Change company name and logo	2021-10-21	E. Roura (Laboratoty Dept.)	D. Yabar (Engineering Dept.)
A1	Datasheet generated automatically [A1]	2021-03-04	E. Roura (Laboratoty Dept.)	D. Yabar (Engineering Dept.)

Escubedo Connection Systems, S.A.U. · Ctra. de Girona-Olot Km. 35,5 · 17843 Riudellots de la Creu · Girona · Spain  
Tel.: 34 972 171 706 · Fax: +34 972 171 714 · [info@escubedo.com](mailto:info@escubedo.com) · [www.escubedo.com](http://www.escubedo.com)