



4106.**
2.8 (.110) TYPE SERIES · RECEPTACLES FOR CONNECTOR



Specification Standard Terminals

Description Standard receptacles. Side feed.

For male (mm) 2,8x0,8

Din 46340

Wire size mm² (AWG) 0,3-0,6 (22-20)

Ø Insulation (mm) 1,5-2 FLR

Materials, temperature and contact resistance

| Part nr. | Material | Finishing | Max. Temp. (°C) | Contact Resist (mΩ) |
|----------|----------|----------------|-----------------|---------------------|
| 4106.00 | Brass | Natural | 110 | (T.B.D.) |
| 4106.01 | Brass | Pre-tin-plated | 120 | 0.50 |
| 4106.30 | Bronze | Natural | 120 | (T.B.D.) |
| 4106.31 | Bronze | Pre-tin-plated | 130 | (T.B.D.) |

Material thickness (mm) 0,3

Max. rated current

| Wire section | 4106.00 / 01 / 30 / 31 |
|----------------------|------------------------|
| 0.35 mm ² | (T.B.D.) |
| 0.50 mm ² | 6A |
| 0.60 mm ² | 6A |

Insertion / Withdrawal forces


| | 4106.00 / 01 / 30 / 31 |
|----------------------|------------------------|
| 1st Insertion (max) | 25N ¹ |
| 1st Withdrawal (max) | 30N ¹ |
| 6th Withdrawal (min) | 5N ¹ |

¹ Valid for Natural Brass Tab

Application tool MN4105

Wire strip length 3.5 (±0.5) mm

Crimping parameters & pull out force

| Wire section (±10%) | Conductor  | | Insulator | Pull-out force (N) |
|----------------------|---|--------------|--------------|--------------------|
| | Height (mm) | Width (mm) | Width (mm) | |
| 0.30 mm ² | 1.00 (±0.03) | 1.83 (±0.03) | 2.46 (±0.10) | 28N @ 60s |
| 0.50 mm ² | 1.05 (±0.03) | 1.85 (±0.03) | 2.47 (±0.10) | 56N @ 60s |
| 0.60 mm ² | 1.10 (±0.05) | 1.85 (±0.05) | 2.47 (±0.10) | 56N @ 60s |

Values only valid for the application tool specified upwards. The insulator widths are only indicative as they are dependent on the sheath thickness of the wire used.

Winding number 8000

Compatible connectors 22843**, 22850**, 22852**, 22873**

Approved regulations

| Part nr. | Approval | Standard | File | Certified framework |
|----------|----------|----------|---------|---------------------------------------|
| 4106.00 | UL | UL 310 | E211727 | AWG 22-20 (7-10 Stranded Cu) / MN4106 |
| 4106.01 | UL | UL 310 | E211727 | AWG 22-20 (7-10 Stranded Cu) / MN4106 |



4106.**

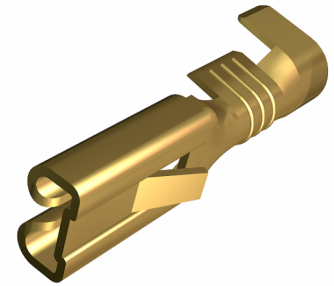
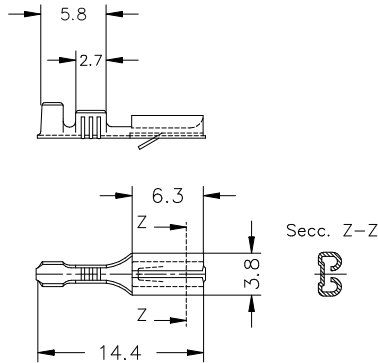
2.8 (.110) TYPE SERIES · RECEPTACLES FOR CONNECTOR



Approvals



Drawing



(T.B.D.): To be determined

Disclaimer

Data obtained from Escubedo Laboratory essays, using own methodology, cablings, equipment and original crimping tools, done in laboratory conditions and following the indicated standards, errors and omissions excepted. This document has no contractual meaning and it is publiscised only for informative purposes. It can be changed without prior notice. The end customer has the sole responsibility to check these characteristics in its environment and with its own components, manufacturing methods and equipment. See also the full range product overview if available. For further information please visit our web site or contact us

| Rev. Nr. | Concept | Date | Created/Revised | Approved |
|----------|----------------------------------|------------|-------------------|----------|
| A2 | Update datasheet (Specification) | 2018-07-13 | Laboratory Dept. | E. Roura |
| A1 | Datasheet created automatically | 2018-06-25 | Engineering Dept. | X.Menac |