

26418**

6.3 (.250) TYPE SERIES · RECEPTACLES

SELF-LOCKING RECEPTACLES. LOW INSERTION TERMINALS.



Specification Receptacle housings

Ways 1

Thermal Characteristics

Part nr.	Raw material	Color	Flammability Class (UL 94)	Glow Wire Test (GWT) (IEC60695-2-11)	Glow Wire Flammability Index (IEC60695-2-12)	RTI electrical (Max. Operating Temp.)
2641810	PA66V2	Natural	V2	(T.B.D.)	850°C	105°C
2641815	PA66V2	Black	(T.B.D.)	(T.B.D.)	(T.B.D.)	(T.B.D.)
2641830	PA66V0	Natural	V0	(T.B.D.)	960°C	140°C
2641840	NO FLAME	Natural	V2	960°C	960°C	130°C
2641843	NO FLAME	Red	V2	(T.B.D.)	960°C	130°C
2641845	NO FLAME	Black	V2	(T.B.D.)	960°C	130°C
2641860	PAV0NF	Natural	V0	960°C	960°C	120°C
2641865	PAV0NF	Black	V0	(T.B.D.)	960°C	120°C
2641895	LCP-GF30	Black	V0	(T.B.D.)	960°C	130°C

For other materials and colors ask to: info@escubedo.com

Max. rated voltage 600V maximum

Compatible terminals 4935.**, 4935S**, 4937.**, 4937S**, 4939.**, 4939S**, 4941.**, 4941S**, 4943.**, 4943S**

Insertion / Withdrawal forces

	2641810 / 30 / 40 / 43 / 45 / 60
Terminal into connector cavity. Insertion force (max)	15N
Terminal from connector cavity - only primary lock. Withdrawal force (min)	60N

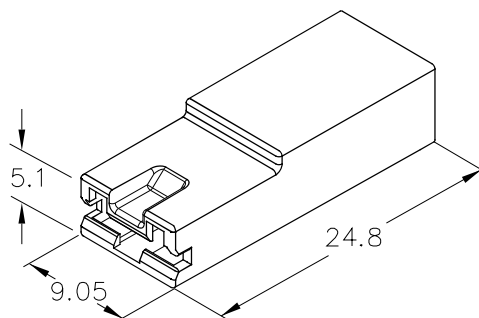
Approved regulations

Part nr.	Approval	Standard	File	Certified framework
2641810	UL	UL 310	E211727	V2 / RTI Elec., Max. Operating Temp, 105°C; 600V
2641830	UL	UL 310	E211727	V0 / RTI Elec., Max. Operating Temp, 125°C; 600V
2641840	UL	UL 310	E211727	V2 / RTI Elec., Max. Operating Temp, 130°C; 600V

Approvals



Drawing



26418**

6.3 (.250) TYPE SERIES · RECEPTACLES

SELF-LOCKING RECEPTACLES. LOW INSERTION TERMINALS.



(T.B.D.): To be determined

Disclaimer

Data obtained from Escubedo Laboratory essays, using own methodology, cablings, equipment and original crimping tools, done in laboratory conditions and following the indicated standards, errors and omissions excepted. This document has no contractual meaning and it is publicised only for informative purposes. It can be changed without prior notice. The end customer has the sole responsibility to check these characteristics in its environment and with its own components, manufacturing methods and equipment. See also the full range product overview if available. For further information please visit our web site or contact us

Rev. Nr.	Concept	Date	Created/Revised	Approved
A6	Add references 2641843 and 2641845	2024-06-10	O.Roura (Engineering Dept.)	E.Roura (laboratory Dept.)
A5	Update GWT [2641840 2641860]	2024-03-22	E. Roura (Laboratory Dept.)	O. Roura (Laboratory Dept.)
A4	Max. rated voltage added	2022-08-04	E.Roura (laboratory dept.)	M.Codina (engineering dept.)
A3	Update UL regulations and insertion and withdrawal forces.	2021-11-29	E. Roura (Laboratory Dept.)	O. Roura (Engineering Dept.)
A2	Change company name and logo	2021-10-21	E. Roura (Laboratory Dept.)	O. Roura (Engineering Dept.)
A1	Datasheet generated automatically [A1]	2021-09-20	E. Roura (Laboratory Dept.)	O. Roura (Engineering Dept.)