



26374**

6.3 (.250) TYPE SERIES · RECEPTACLES FOR CONNECTOR



Specification Receptacle Connectors

Ways 2

Thermal Characteristics

| Part nr. | Raw material | Color | Flammability Class (UL 94) | Glow Wire Test (GWT) (IEC60695-2-11) | Glow Wire Flammability Index (IEC60695-2-12) | RTI electrical (Max. Operating Temp.) |
|----------|--------------|---------|----------------------------|--------------------------------------|--|---------------------------------------|
| 2637410 | PA66V2 | Natural | V2 | (T.B.D.) | 850°C | 105°C |

For other materials and colors ask to: info@escubedo.com

Compatible terminals 4321.**, 4322.**, 4322K**, 4323.**, 4325.**, 4326.**, 4326K**, 4327.**, 4328.**, 4328K**, 4330.**, 4331.**, 4332E**, 4333.**, 4335.**, 4336E**, 4337.**, 4346.**, 4348.**

Insertion / Withdrawal forces

| | 2637410 |
|---|------------------|
| 1st Insertion (max, connector-receptacle) - Receptacle mat. thickness 0.32mm | 10N ¹ |
| 1st Withdrawal (min, connector-receptacle) - Receptacle mat. thickness 0.32mm | 50N ¹ |
| 1st Insertion (max, connector-receptacle) - Receptacle mat. thickness 0.40mm | 15N ² |
| 1st Withdrawal (min, connector-receptacle) - Receptacle mat. thickness 0.40mm | 90N ² |

¹ Valid for 4322.**, 4322K**, 4326.**, 4326K**, 4328.**, ...
² Valid for 4321.**, 4323.**, 4325.**, 4327.**, 4330.**, ...

Counterpart 26373**

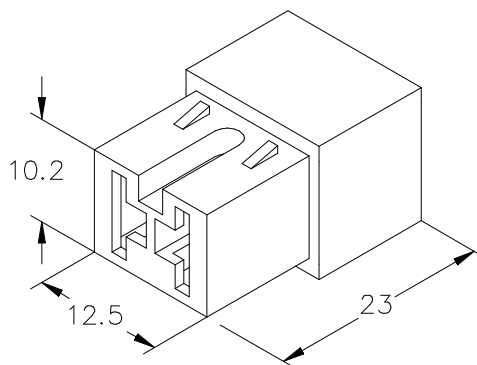
Approved regulations

| Part nr. | Approval | Standard | File | Certified framework |
|----------|----------|----------|---------|---|
| 2637410 | UL | UL 1977 | E245592 | V2 / RTI Elec., Max. Operating Temp, 65°C |

Approvals



Drawing





26374**

6.3 (.250) TYPE SERIES · RECEPTACLES FOR CONNECTOR



(T.B.D.): To be determined

Disclaimer

Data obtained from Escubedo Laboratory essays, using own methodology, cablings, equipment and original crimping tools, done in laboratory conditions and following the indicated standards, errors and omissions excepted. This document has no contractual meaning and it is publicised only for informative purposes. It can be changed without prior notice. The end customer has the sole responsibility to check these characteristics in its environment and with its own components, manufacturing methods and equipment. See also the full range product overview if available. For further information please visit our web site or contact us

| Rev. Nr. | Concept | Date | Created/Revised | Approved |
|----------|--|------------|------------------|----------|
| A3 | Update [Insertion / withdrawal forces] | 2019-02-27 | Laboratory Dept. | E. Roura |
| A2 | Update - Insertion withdrawal forces | 2019-02-15 | Laboratory Dept. | E. Roura |
| A1 | Datasheet generated automatically [A1] | 2019-02-01 | Laboratory Dept. | E.Roura |