

26354**

6.3 (.250) TYPE SERIES · RECEPTACLES FOR CONNECTOR



Specification Receptacle Connectors

Ways 4

Thermal Characteristics

Part nr.	Raw material	Color	Flammability Class (UL 94)	Glow Wire Test (GWT) (IEC60695-2-11)	Glow Wire Flammability Index (IEC60695-2-12)	RTI electrical (Max. Operating Temp.)
2635410	PA66V2	Natural	V2	(T.B.D.)	850°C	105°C

For other materials and colors ask to: info@escubedo.com

Compatible terminals 4321.**, 4323.**, 4325.**, 4327.**, 4328.**, 4330.**, 4331.**, 4332E**, 4333.**, 4335.**, 4336E**, 4337.**, 4346.**, 4348.**

Insertion / Withdrawal forces

	2635410
1st Insertion (max)	15N
1st Withdrawal (min, primary lock only)	90N

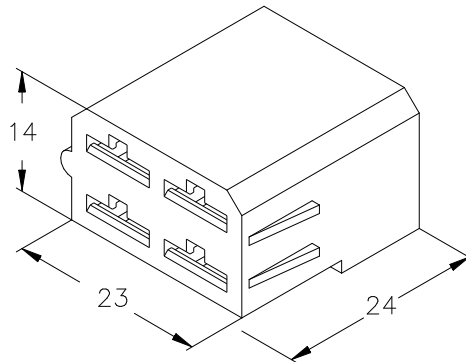
Approved regulations

Part nr.	Approval	Standard	File	Certified framework
2635410	UL	UL 1977	E245592	V2 / RTI Elec., Max. Operating Temp, 65°C

Approvals



Drawing



(T.B.D.): To be determined

Disclaimer

Data obtained from Escubedo Laboratory essays, using own methodology, cabling, equipment and original crimping tools, done in laboratory conditions and following the indicated standards, errors and omissions excepted. This document has no contractual meaning and it is publicised only for informative purposes. It can be changed without prior notice. The end customer has the sole responsibility to check these characteristics in its environment and with its own components, manufacturing methods and equipment. See also the full range product overview if available. For further information please visit our web site or contact us

Rev. Nr.	Concept	Date	Created/Revised	Approved
A1	Datasheet created automatically [A1]	2021-12-13	Laboratory Dept.	E. Roura (Laboratory Dept.)

Escubedo Connection Systems, S.A.U. · Ctra. de Girona-Olot Km. 35,5 · 17843 Riudellots de la Creu · Girona · Spain
 Tel.: 34 972 171 706 · Fax: +34 972 171 714 · info@escubedo.com · www.escubedo.com