

26343** 6.3 (.250) TYPE SERIES · MALES FOR CONNECTOR



Specification Male Connectors

Ways 3

Thermal Characteristics

Part nr.	Raw material	Color	Flammability Class (UL 94)	Glow Wire Test (GWT) (IEC60695-2-11)	Glow Wire Flammability Index (IEC60695-2-12)	RTI electrical (Max. Operating Temp.)
2634310	PA66V2	Natural	V2	(T.B.D.)	850°C	105°C
2634330	PA66V0	Natural	V0	(T.B.D.)	960°C	140°C
2634340	PANF	Natural	V2	(T.B.D.)	960°C	130°C
2634350	Stanyl	Natural	V2	(T.B.D.)	850°C	150°C
2634360	PAV0NF	Natural	V0	(T.B.D.)	960°C	120°C

For other materials and colors ask to: info@escubedo.com

Compatible terminals 6421.**, 6423.**, 6424.**, 6425.**, 6426.**, 6427.**, 6430.**, 6432.**, 6434.**, 6438.**, 6440.**

Insertion / Withdrawal forces

	2634310 / 30 / 40 / 50 / 60
Terminal into connector cavity. Insertion force (max)	15N
Terminal from connector cavity. Withdrawal force (min)	90N

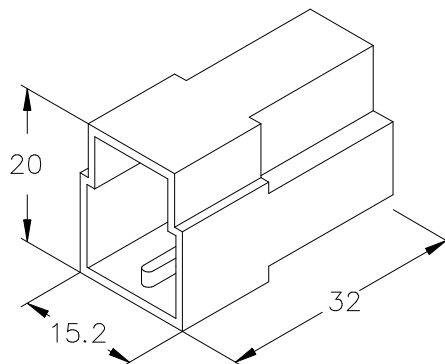
Approved regulations

Part nr.	Approval	Standard	File	Certified framework
2634310	UL	UL 1977	E245592	V2 / RTI Elec. Max. Operating Temp, 65°C
2634330	UL	UL 1977	E245592	V0 / RTI Elec. Max. Operating Temp, 140°C
2634340	UL	UL 1977	E245592	V2 / RTI Elec. Max. Operating Temp, 130°C
2634350	UL	UL 1977	E245592	V2 / RTI Elec. Max. Operating Temp, 150°C
2634360	UL	UL 1977	E245592	V0 / RTI Elec. Max. Operating Temp, 65°C

Approvals



Drawing



26343****6.3 (.250) TYPE SERIES · MALES FOR CONNECTOR**

(T.B.D.): To be determined

Disclaimer

Data obtained from Escubedo Laboratory essays, using own methodology, cablings, equipment and original crimping tools, done in laboratory conditions and following the indicated standards, errors and omissions excepted. This document has no contractual meaning and it is publicised only for informative purposes. It can be changed without prior notice. The end customer has the sole responsibility to check these characteristics in its environment and with its own components, manufacturing methods and equipment. See also the full range product overview if available. For further information please visit our web site or contact us

Rev. Nr.	Concept	Date	Created/Revised	Approved
A3	Update Insertion / Withdrawal forces	2022-01-04	Laboratory Dept.	E. Roura (Laboratory Dept.)
A2	Change company name and logo	2021-10-21	E. Roura (Laboratory dept.)	M. Codina (Engineering dept.)
A1	Datasheet generated automatically [A1]	2020-03-20	E. Roura (Laboratory dept.)	M. Codina (Engineering dept.)

Escubedo Connection Systems, S.A.U. · Ctra. de Girona-Olot Km. 35,5 · 17843 Riudellots de la Creu · Girona · Spain
Tel.: 34 972 171 706 · Fax: +34 972 171 714 · info@escubedo.com · www.escubedo.com