

## 26341\*\* 6.3 (.250) TYPE SERIES · MALES FOR CONNECTOR



**Specification** Male Connectors

**Ways** 1

**Thermal Characteristics**

Part nr.	Raw material	Color	Flammability Class (UL 94)	Glow Wire Test (GWT) (IEC60695-2-11)	Glow Wire Flammability Index (IEC60695-2-12)	RTI electrical (Max. Operating Temp.)
2634110	PA66V2	Natural	V2	(T.B.D.)	850°C	105°C
2634130	PA66V0	Natural	V0	(T.B.D.)	960°C	140°C
2634140	PA66NF	Natural	V2	750°C	960°C	130°C
2634160	PAV0NF	Natural	V0	750°C	960°C	120°C

For other materials and colors ask to: [info@escubedo.com](mailto:info@escubedo.com)

**Compatible terminals** 6421.\*\*, 6423.\*\*, 6424.\*\*, 6425.\*\*, 6426.\*\*, 6427.\*\*, 6430.\*\*, 6432.\*\*, 6434.\*\*, 6438.\*\*, 6440.\*\*

**Insertion / Withdrawal forces**

	2634110
1st Insertion (max, connector-terminal)	10N
1st Withdrawal (min, connector-terminal)	75N
1st Insertion (max, connector-counterpart)	35N
1st Withdrawal (min, connector-counterpart, with dimple)	40N

**Counterpart** 26351\*\*

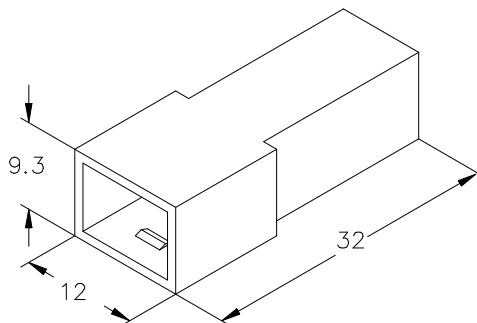
**Approved regulations**

Part nr.	Approval	Standard	File	Certified framework
2634110	UL	UL 310	E245592	V2 / RTI Elec., Max. Operating Temp, 65°C
2634130	UL	UL 310	E245592	V0 / RTI Elec., Max. Operating Temp, 140°C
2634140	UL	UL 310	E245592	V2 / RTI Elec., Max. Operating Temp, 130°C
2634160	UL	UL 310	E245592	V0 / RTI Elec., Max. Operating Temp, 120°

**Approvals**



**Drawing**



**26341\*\***  
**6.3 (.250) TYPE SERIES · MALES FOR CONNECTOR**



(T.B.D.): To be determined

**Disclaimer**

Data obtained from Escubedo Laboratory essays, using own methodology, cablings, equipment and original crimping tools, done in laboratory conditions and following the indicated standards, errors and omissions excepted. This document has no contractual meaning and it is publicised only for informative purposes. It can be changed without prior notice. The end customer has the sole responsibility to check these characteristics in its environment and with its own components, manufacturing methods and equipment. See also the full range product overview if available. For further information please visit our web site or contact us

Rev. Nr.	Concept	Date	Created/Revised	Approved
A3	Added reference 2634160	2023-02-06	O.Roura (Engineering Dept.)	O.Roura (Engineering Dept.)
A2	Change company name and logo	2021-10-21	D. Martinez (Laboratory Dept.)	M. Codina (Engineering Dept.)
A1	Datasheet generated automatically [A1]	2019-11-06	D. Martinez (Laboratory Dept.)	M. Codina (Engineering Dept.)

Escubedo Connection Systems, S.A.U. · Ctra. de Girona-Olot Km. 35,5 · 17843 Riudellots de la Creu · Girona · Spain  
 Tel.: 34 972 171 706 · Fax: +34 972 171 714 · [info@escubedo.com](mailto:info@escubedo.com) · [www.escubedo.com](http://www.escubedo.com)