



26341**
6.3 (.250) TYPE SERIES · MALES FOR CONNECTOR



Specification Male Connectors

Ways 1

Thermal Characteristics

| Part nr. | Raw material | Color | Flammability Class (UL 94) | Glow Wire Test (GWT) (IEC60695-2-11) | Glow Wire Flammability Index (IEC60695-2-12) | RTI electrical (Max. Operating Temp.) |
|----------|--------------|---------|----------------------------|--------------------------------------|--|---------------------------------------|
| 2634110 | PA66V2 | Natural | V2 | (T.B.D.) | 850°C | 105°C |
| 2634130 | PA66V0 | Natural | V0 | (T.B.D.) | 960°C | 140°C |
| 2634140 | PA66NF | Natural | V2 | 750°C | 960°C | 130°C |

For other materials and colors ask to: info@escubedo.com

Compatible terminals 6421.**, 6423.**, 6424.**, 6425.**, 6426.**, 6427.**, 6430.**, 6432.**, 6434.**, 6438.**, 6440.**

Insertion / Withdrawal forces

| | 2634110 |
|--|---------|
| 1st Insertion (max, connector-terminal) | 10N |
| 1st Withdrawal (min, connector-terminal) | 75N |
| 1st Insertion (max, connector-counterpart) | 35N |
| 1st Withdrawal (min, connector-counterpart, with dimple) | 40N |

Counterpart 26351**

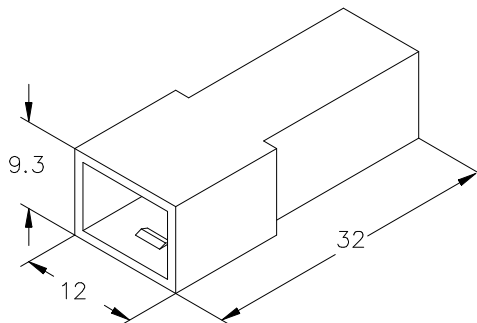
Approved regulations

| Part nr. | Approval | Standard | File | Certified framework |
|----------|----------|----------|---------|--|
| 2634110 | UL | UL 310 | E245592 | V2 / RTI Elec., Max. Operating Temp, 65°C |
| 2634130 | UL | UL 310 | E245592 | V0 / RTI Elec., Max. Operating Temp, 140°C |
| 2634140 | UL | UL 310 | E245592 | V2 / RTI Elec., Max. Operating Temp, 130°C |

Approvals



Drawing



(T.B.D.): To be determined

Disclaimer

Data obtained from Escubedo Laboratory essays, using own methodology, cablings, equipment and original crimping tools, done in laboratory conditions and following the indicated standards, errors and omissions excepted. This document has no contractual meaning and it is publicised only for informative purposes. It can be changed without prior notice. The end customer has the sole responsibility to check these characteristics in its environment and with its own components, manufacturing methods and equipment. See also the full range product overview if available. For further information please visit our web site or contact us

| Rev. Nr. | Concept | Date | Created/Revised | Approved |
|----------|--|------------|--------------------------------|-------------------------------|
| A1 | Datasheet generated automatically [A1] | 2019-11-06 | D. Martinez (Laboratory Dept.) | M. Codina (Engineering Dept.) |