

26332** 6.3 (.250) TYPE SERIES · FLAGS



Specification Flag receptacle housings

Ways 1

Thermal Characteristics

Part nr.	Raw material	Color	Flammability Class (UL 94)	Glow Wire Test (GWT) (IEC60695-2-11)	Glow Wire Flammability Index (IEC60695-2-12)	RTI electrical (Max. Operating Temp.)
2633210	PA66V2	Natural	V2	-	850°C	105°C
2633230	PA66V0	Natural	V0	-	960°C	140°C
2633235	PA66V0	Black	V0	-	960°C	140°C
2633240	PA66NF	Natural	V2	-	960°C	130°C
2633260	PA66 GWT750°C	Natural	V0	750°C	960°C	130°C

For other materials and colors ask to: info@escubedo.com

Compatible terminals 5424.**, 5426.**

Insertion / Withdrawal forces

	2633210 / 30 / 35 / 40 / 60
Terminal into connector cavity. Insertion force (max)	20N
Terminal from connector cavity - only primary lock. Withdrawal force (min)	40N

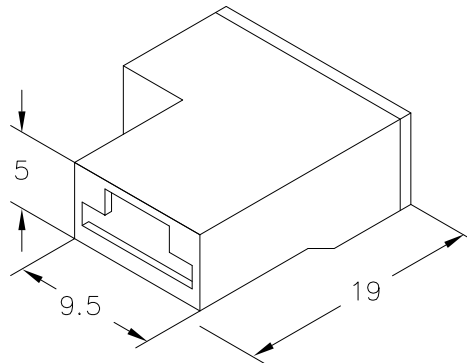
Approved regulations

Part nr.	Approval	Standard	File	Certified framework
2633210	UL	UL 310	E245592	V2 / RTI Elec., Max. Operating Temp, 65°C
2633230	UL	UL 310	E245592	V0 / RTI Elec., Max. Operating Temp, 140°C
2633235	UL	UL 310	E245592	V0 / RTI Elec., Max. Operating Temp, 140°C
2633240	UL	UL 310	E245592	V2 / RTI Elec., Max. Operating Temp, 130°C
2633260	UL	UL 310	E245592	V0 / RTI Elec., Max. Operating Temp, 65°C

Approvals



Drawing



Disclaimer

Data obtained from Escubedo Laboratory essays, using own methodology, cabling, equipment and original crimping tools, done in laboratory conditions and following the indicated standards, errors and omissions excepted. This document has no contractual meaning and it is publicised only for informative purposes. It can be changed without prior notice. The end customer has the sole responsibility to check these characteristics in its environment and with its own components, manufacturing methods and equipment. See also the full range product overview if available. For further information please visit our web site or contact us

Rev. Nr.	Concept	Date	Created/Revised	Approved
A1	Dataseet generated automatically [A1]	2022-08-08	Laboratory Dept.	E. Roura (Laboratory Dept.)

Escubedo Connection Systems, S.A.U. · Ctra. de Girona-Olot Km. 35,5 · 17843 Riudellots de la Creu · Girona · Spain
Tel.: 34 972 171 706 · Fax: +34 972 171 714 · info@escubedo.com · www.escubedo.com