



**26316\*\***  
**6.3 (.250) TYPE SERIES · RECEPTACLES**



**Specification** Receptacle housings

**Ways** 1

**Thermal Characteristics**

Part nr.	Raw material	Color	Flammability Class (UL 94)	Glow Wire Test (GWT) (IEC60695-2-11)	Glow Wire Flammability Index (IEC60695-2-12)	RTI electrical (Max. Operating Temp.)
2631610	PA66V2	Natural	V2	(T.B.D.)	850°C	105°C
2631660	PAV0NF	Natural	V0	750 °C	960 °C	130 °C

For other materials and colors ask to: info@escubedo.com

**Compatible terminals** 4420.\*\* , 4420F\*\* , 4422.\*\* , 4424.\*\* , 4425.\*\* , 4520.\*\* , 4521.\*\* , 4540.\*\* , 4541.\*\* , 4542.\*\* , 4544.\*\* , 4548.\*\* , 4622.\*\* , 4646.\*\* , 4648.\*\* , 4820.\*\* , 4822.\*\* , 4824.\*\* , 4840.\*\* , 4842.\*\* , 4844.\*\*

**Insertion / Withdrawal forces**

	2631610
1st Insertion (max)	35N
1st Withdrawal (min, primary lock only)	150N

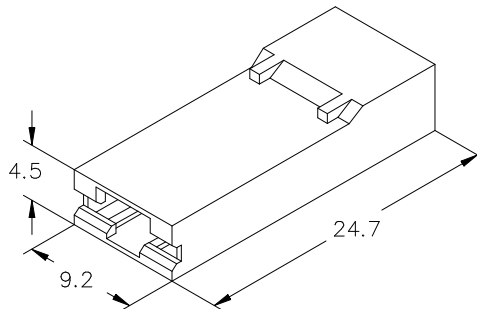
**Approved regulations**

Part nr.	Approval	Standard	File	Certified framework
2631660	UL	UL 310	E245592	V0 / RTI Elec., Max. Operating Temp, 130°C

**Approvals**



**Drawing**



(T.B.D.): To be determined

**Disclaimer**

Data obtained from Escubedo Laboratory essays, using own methodology, cabling, equipment and original crimping tools, done in laboratory conditions and following the indicated standards, errors and omissions excepted. This document has no contractual meaning and it is publicised only for informative purposes. It can be changed without prior notice. The end customer has the sole responsibility to check these characteristics in its environment and with its own components, manufacturing methods and equipment. See also the full range product overview if available. For further information please visit our web site or contact us

Rev. Nr.	Concept	Date	Created/Revised	Approved
A1	Datasheet generated automatically [A1]	2020-01-23	M.Codina	Engineering Dept.