



24850**

4.8 (.187) TYPE SERIES · RECEPTACLES FOR CONNECTOR



Specification Receptacle housings

Ways 1

Thermal Characteristics

Part nr.	Raw material	Color	Flammability Class (UL 94)	Glow Wire Test (GWT) (IEC60695-2-11)	Glow Wire Flammability Index (IEC60695-2-12)	RTI electrical (Max. Operating Temp.)
2485010	PA66V2	Natural	V2	(T.B.D.)	850°C	105°C
2485030	PA66V0	Natural	V0	(T.B.D.)	960°C	140°C
2485040	PANF	Natural	V2	(T.B.D.)	960°C	130°C

For other materials and colors ask to: info@escubedo.com

Compatible terminals 4312.**, 4314.**, 4316.**, 4318.**

Insertion / Withdrawal forces

	2485010
1st Insertion (max, connector-receptacle)	18N ¹
1st Withdrawal (min, connector-receptacle)	75N ¹

¹ Valid for UP-STA Receptacles

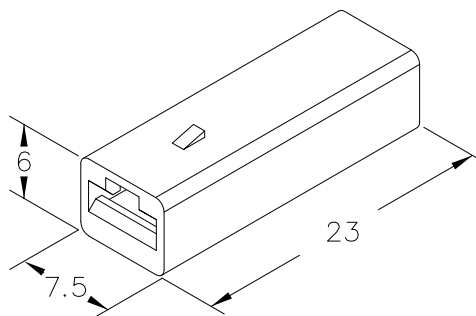
Approved regulations

Part nr.	Approval	Standard	File	Certified framework
2485010	UL	UL 310	E245592	V2 / RTI Elec., Max. Operating Temp, 65°C
2485030	UL	UL 310	E245592	V0 / RTI Elec., Max. Operating Temp, 140°C
2485040	UL	UL 310	E245592	V2 / RTI Elec., Max. Operating Temp, 130°C

Approvals



Drawing



(T.B.D.): To be determined

Disclaimer

Data obtained from Escubedo Laboratory essays, using own methodology, cabling, equipment and original crimping tools, done in laboratory conditions and following the indicated standards, errors and omissions excepted. This document has no contractual meaning and it is publicised only for informative purposes. It can be changed without prior notice. The end customer has the sole responsibility to check these characteristics in its environment and with its own components, manufacturing methods and equipment. See also the full range product overview if available. For further information please visit our web site or contact us

Rev. Nr.	Concept	Date	Created/Revised	Approved
A1	Datasheet generated automatically [A1]	2018-12-11	Laboratory Dept.	E. Roura