

24841** 5 (.197) TYPE SERIES · MALES



Specification Tab Housings

Ways 1

Thermal Characteristics

Part nr.	Raw material	Color	Flammability Class (UL 94)	Glow Wire Test (GWT) (IEC60695-2-11)	Glow Wire Flammability Index (IEC60695-2-12)	RTI electrical (Max. Operating Temp.)
2484110	PA66V2	Natural	V2	(T.B.D.)	850°C	105°C
2484130	PA66V0	Natural	V0	(T.B.D.)	960°C	140°C

For other materials and colors ask to: info@escubedo.com

Compatible terminals 6466.**

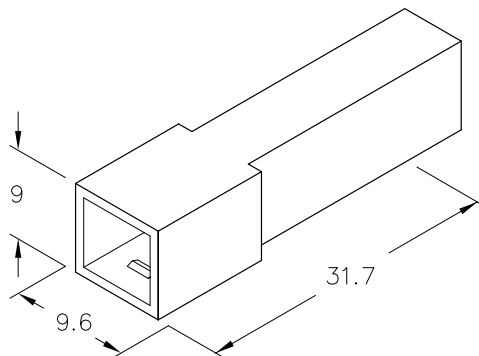
Approved regulations

Part nr.	Approval	Standard	File	Certified framework
2484110	UL	UL 310	E245592	V2 / RTI Elec., Max. Operating Temp, 65°C
2484130	UL	UL 310	E245592	V0 / RTI Elec., Max. Operating Temp, 140°C

Approvals



Drawing



(T.B.D.): To be determined

Disclaimer

Data obtained from Escubedo Laboratory essays, using own methodology, cablings, equipment and original crimping tools, done in laboratory conditions and following the indicated standards, errors and omissions excepted. This document has no contractual meaning and it is publised only for informative purposes. It can be changed without prior notice. The end customer has the sole responsibility to check these characteristics in its environment and with its own components, manufacturing methods and equipment. See also the full range product overview if available. For further information please visit our web site or contact us

Rev. Nr.	Concept	Date	Created/Revised	Approved
A2	Change company name and logo	2021-10-21	E. Roura (Laboratory Dept.)	M. Codina (Engineering Dept.)
A1	Datasheet generated automatically [A1]	2021-05-19	E. Roura (Laboratory Dept.)	M. Codina (Engineering Dept.)

Escubedo Connection Systems, S.A.U. · Ctra. de Girona-Olot Km. 35,5 · 17843 Riudellots de la Creu · Girona · Spain
Tel.: 34 972 171 706 · Fax: +34 972 171 714 · info@escubedo.com · www.escubedo.com