



24839**
4.8 (.187) TYPE SERIES · FLAGS



Specification Flag receptacle housings

Ways 1

Thermal Characteristics

Part nr.	Raw material	Color	Flammability Class (UL 94)	Glow Wire Test (GWT) (IEC60695-2-11)	Glow Wire Flammability Index (IEC60695-2-12)	RTI electrical (Max. Operating Temp.)
2483910	PA66V2	Natural	V2	(T.B.D.)	850°C	105°C
2483930	PA66V0	Natural	V0	(T.B.D.)	960°C	140°C
2483940	NO FLAME	Natural	V2	(T.B.D.)	960°C	130°C

For other materials and colors ask to: info@escubedo.com

Compatible terminals 5716**, 5717**, 5718**, 5719**

Insertion / Withdrawal forces

	2483910	2483930
Terminal into connector cavity. Insertion force (max)	22N ¹	15N ¹
Terminal from connector cavity - only primary lock. Withdrawal force (min)	45N ¹	35N ¹
Terminal from connector cavity - primary + secondary lock. Withdrawal force (min)	55N ¹	45N ¹

¹ Valid for Compatible terminals

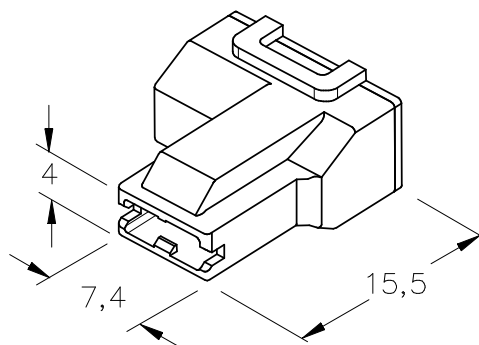
Approved regulations

Part nr.	Approval	Standard	File	Certified framework
2483910	UL	UL 310	E245592	V2 / RTI Elec., Max. Operating Temp, 65°C
2483930	UL	UL 310	E245592	V0 / RTI Elec., Max. Operating Temp, 140°C
2483940	UL	UL 310	E245592	V2 / RTI Elec., Max. Operating Temp, 130°C

Approvals



Drawing



(T.B.D.): To be determined

Disclaimer

Data obtained from Escubedo Laboratory essays, using own methodology, cabling, equipment and original crimping tools, done in laboratory conditions and following the indicated standards, errors and omissions excepted. This document has no contractual meaning and it is publicised only for informative purposes. It can be changed without prior notice. The end customer has the sole responsibility to check these characteristics in its environment and with its own components, manufacturing methods and equipment. See also the full range product overview if available. For further information please visit our web site or contact us

Rev. Nr.	Concept	Date	Created/Revised	Approved
A1	Datasheet generated automatically [A1]	2020-02-26	E. Roura (Laboratory dept.)	M. Codina (Engineering dept.)