

24833** 4.8 (.187) TYPE SERIES · FLAGS



Specification Flag receptacle housings

Ways 1

Thermal Characteristics

Part nr.	Raw material	Color	Flammability Class (UL 94)	Glow Wire Test (GWT) (IEC60695-2-11)	Glow Wire Flammability Index (IEC60695-2-12)	RTI electrical (Max. Operating Temp.)
2483310	PA66V2	Natural	V2	(T.B.D.)	850°C	105°C
2483330	PA66V0	Natural	V0	750°C	960°C	140°C
2483350	Stanyl	Natural	V2	(T.B.D.)	850°C	150°C
2483360	PAV0NF	Natural	V0	750°C	960°C	120°C

For other materials and colors ask to: info@escubedo.com

Compatible terminals 5812.**, 5812E**, 5814.**, 5814C**, 5814E**, 5817.**, 5819.**

Insertion / Withdrawal forces

	2483310 / 30 / 50 / 60
Terminal into connector cavity. Insertion force (max)	15N
Terminal from connector cavity - only primary lock. Withdrawal force (min)	50N
Terminal from connector cavity - primary + secondary lock. Withdrawal force (min)	100N

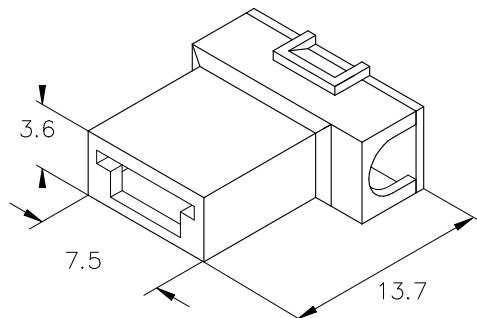
Approved regulations

Part nr.	Approval	Standard	File	Certified framework
2483310	UL	UL 310	E245592	V2 / RTI Elec., Max. Operating Temp, 65°C
2483330	UL	UL 310	E245592	V0 / RTI Elec., Max. Operating Temp, 140°C
2483360	UL	UL 310	E245592	V0 / RTI Elec., Max. Operating Temp, 120°C

Approvals



Drawing



24833**

4.8 (.187) TYPE SERIES · FLAGS



(T.B.D.): To be determined

Disclaimer

Data obtained from Escubedo Laboratory essays, using own methodology, cablings, equipment and original crimping tools, done in laboratory conditions and following the indicated standards, errors and omissions excepted. This document has no contractual meaning and it is publicised only for informative purposes. It can be changed without prior notice. The end customer has the sole responsibility to check these characteristics in its environment and with its own components, manufacturing methods and equipment. See also the full range product overview if available. For further information please visit our web site or contact us

Rev. Nr.	Concept	Date	Created/Revised	Approved
A3	Added reference 2483330	2023-02-06	O.Roura (Engineering Dept.)	O.Roura (Engineering Dept.)
A2	Change company name and logo	2021-10-21	E. Roura	M. Codina
A1	Datasheet generated automatically [A1]	2020-09-18	E. Roura	M. Codina

Escubedo Connection Systems, S.A.U. · Ctra. de Girona-Olot Km. 35,5 · 17843 Riudellots de la Creu · Girona · Spain
 Tel.: 34 972 171 706 · Fax: +34 972 171 714 · info@escubedo.com · www.escubedo.com