

24811**

4.8 (.187) TYPE SERIES · RECEPTACLES

SELF-LOCKING RECEPTACLES



Specification Receptacle housings

Ways 1

Thermal Characteristics

Part nr.	Raw material	Color	Flammability Class (UL 94)	Glow Wire Test (GWT) (IEC60695-2-11)	Glow Wire Flammability Index (IEC60695-2-12)	RTI electrical (Max. Operating Temp.)
2481110	PA66V2	Natural	V2	(T.B.D.)	850°C	105°C
2481130	PA66V0	Natural	V0	(T.B.D.)	960°C	140°C
2481135	PA66V0	Black	V0	(T.B.D.)	960°C	140°C
2481140	NO FLAME	Natural	V2	(T.B.D.)	960°C	130°C
2481160	PAV0NF	Natural	V0	750 °C	960 °C	130 °C

For other materials and colors ask to: info@escubedo.com

Compatible terminals 4712**, 4714**, 4716**, 4718**

Insertion / Withdrawal forces

	2481110 / 30 / 35 / 40
1st Insertion (max)	15N
1st Withdrawal (min, primary lock only)	60N

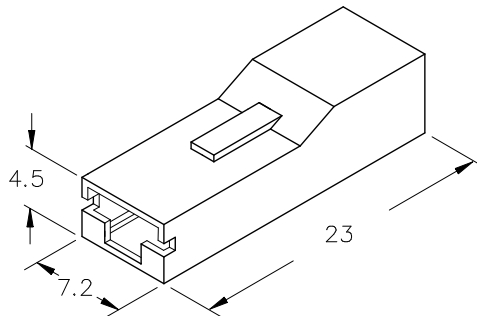
Approved regulations

Part nr.	Approval	Standard	File	Certified framework
2481160	UL	UL 310	E245592	V0 / RTI Elec., Max. Operating Temp, 130°C

Approvals



Drawing



(T.B.D.): To be determined

Disclaimer

Data obtained from Escubedo Laboratory essays, using own methodology, cablings, equipment and original crimping tools, done in laboratory conditions and following the indicated standards, errors and omissions excepted. This document has no contractual meaning and it is publicised only for informative purposes. It can be changed without prior notice. The end customer has the sole responsibility to check these characteristics in its environment and with its own components, manufacturing methods and equipment. See also the full range product overview if available. For further information please visit our web site or contact us

Rev. Nr.	Concept	Date	Created/Revised	Approved
A3	Change company name and logo	2021-10-21	Automatically	D.Yabar (Engineering dept.)
A2	Gamma updated	2021-02-22	Automatically	D.Yabar (Engineering dept.)
A1	Datasheet generated automatically [A1]	2020-01-23	M.Codina	Engineering Dept.

Escubedo Connection Systems, S.A.U. · Ctra. de Girona-Olot Km. 35,5 · 17843 Riudellots de la Creu · Girona · Spain
 Tel.: 34 972 171 706 · Fax: +34 972 171 714 · info@escubedo.com · www.escubedo.com