



**242F28\*\***  
**UP-FIT SERIES · 4.20 MM UP-FIT CONNECTIONS**



**Specification** UP-FIT Male-Holder Connectors

**Ways** 16

**Thermal Characteristics**

Part nr.	Raw material	Color	Flammability Class (UL 94)	Glow Wire Test (GWT) (IEC60695-2-11)	Glow Wire Flammability Index (IEC60695-2-12)	RTI electrical (Max. Operating Temp.)
242F2810	PA66V2	Natural	V2	(T.B.D.)	850°C	105°C
242F2830	PA66V0	Natural	V0	(T.B.D.)	960°C	140°C
242F2840	NO FLAME	Natural	V2	(T.B.D.)	960°C	130°C
242F2845	NO FLAME	Black	V2	(T.B.D.)	960°C	130°C

For other materials and colors ask to: info@escubedo.com

**Max. rated voltage** 600V

**Compatible terminals** 7545.\*\*, 7546.\*\*, 7547.\*\*

**Insertion / Withdrawal forces**

	242F2810 / 30 / 40 / 45
1st Insertion (max)	12N
1st Withdrawal (min, secondary lock only)	60N

**Counterpart** 242M28\*\*

**Approved regulations**

Part nr.	Approval	Standard	File	Certified framework
242F2810 <sup>1</sup>	UL	UL 1977	E223221	V2 / RTI Elec., Max. Operating Temp, 130°C
242F2830 <sup>1</sup>	UL	UL 1977	E221223	V0 / RTI Elec., Max. Operating Temp, 140°C
242F2840 <sup>1</sup>	UL	UL 1977	E223221	V2 / RTI Elec., Max. Operating Temp, 130°C
242F2845 <sup>1</sup>	UL	UL 1977	E223221	V2 / RTI Elec., Max. Operating Temp, 130°C

<sup>1</sup> Cat. No. meets with the standard UL1977 as a component of UP-FIT full connection system.

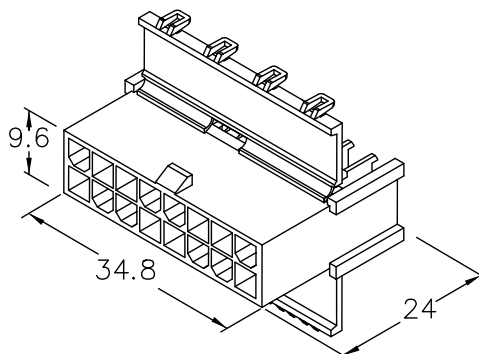
Rated current and voltage:

- 16 poles - AWG 28 - 1A/600V (USR, CND)
- 16 poles - AWG 26 - 1A/600V (USR, CND)
- 16 poles - AWG 24 - 2A/600V (USR, CND)
- 16 poles - AWG 22 - 3A/600V (USR, CND)
- 16 poles - AWG 20 - 3A/600V (USR, CND)
- 16 poles - AWG 18 - 4A/600V (USR, CND)
- 16 poles - AWG 16 - 5A/600V (USR, CND)

**Approvals**



**Drawing**





**242F28\*\***

**UP-FIT SERIES · 4.20 MM UP-FIT CONNECTIONS**



(T.B.D.): To be determined

**Disclaimer**

Data obtained from Escubedo Laboratory essays, using own methodology, cablings, equipment and original crimping tools, done in laboratory conditions and following the indicated standards, errors and omissions excepted. This document has no contractual meaning and it is publiscised only for informative purposes. It can be changed without prior notice. The end customer has the sole responsibility to check these characteristics in its environment and with its own components, manufacturing methods and equipment. See also the full range product overview if available. For further information please visit our web site or contact us

Rev. Nr.	Concept	Date	Created/Revised	Approved
A2	Update UL Regulation	2018-08-10	Laboratory Dept.	E. Roura
A1	Datasheet generated automatically [A1]	2018-08-03	Laboratory Dept.	E. Roura