

22817**

2.8 (.110) TYPE SERIES · RECEPTACLES

SELF-LOCKING RECEPTACLES. LOW INSERTION TERMINALS.



Specification Receptacle housings

Ways 1

Thermal Characteristics

Part nr.	Raw material	Color	Flammability Class (UL 94)	Glow Wire Test (GWT) (IEC60695-2-11)	Glow Wire Flammability Index (IEC60695-2-12)	RTI electrical (Max. Operating Temp.)
2281710	PA66V2	Natural	V2	(T.B.D.)	850°C	105°C
2281730	PA66V0	Natural	V0	(T.B.D.)	960°C	140°C
2281740	NO FLAME	Natural	V2	(T.B.D.)	960°C	130°C
2281760	PAV0NF	Natural	V0	(T.B.D.)	960°C	120°C

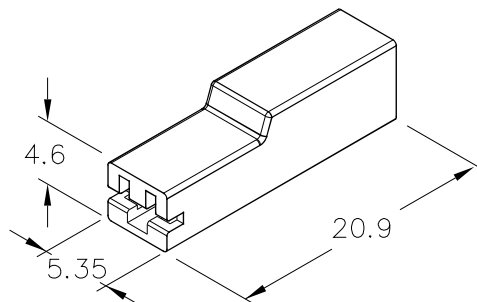
For other materials and colors ask to: info@escubedo.com

Compatible terminals 4904.**, 4905.**, 4906.**, 4907.**, 4908.**, 4909.**

Insertion / Withdrawal forces

	2281710 / 30 / 40 / 60
1st Insertion (max, connector-terminal)	10N
1st Withdrawal (min, connector-terminal)	35N

Drawing



(T.B.D.): To be determined

Disclaimer

Data obtained from Escubedo Laboratory essays, using own methodology, cabling, equipment and original crimping tools, done in laboratory conditions and following the indicated standards, errors and omissions excepted. This document has no contractual meaning and it is publicised only for informative purposes. It can be changed without prior notice. The end customer has the sole responsibility to check these characteristics in its environment and with its own components, manufacturing methods and equipment. See also the full range product overview if available. For further information please visit our web site or contact us

Rev. Nr.	Concept	Date	Created/Revised	Approved
A1	Datasheet generated automatically [A1]	2022-03-23	E. Roura (Laboratory Dept.)	O. Roura (Engineering Dept.)

Escubedo Connection Systems, S.A.U. · Ctra. de Girona-Olot Km. 35,5 · 17843 Riudellots de la Creu · Girona · Spain
 Tel.: 34 972 171 706 · Fax: +34 972 171 714 · info@escubedo.com · www.escubedo.com