



22815**
2.8 (.110) TYPE SERIES · RECEPTACLES



Specification Receptacle housings

Ways 1

Thermal Characteristics

Part nr.	Raw material	Color	Flammability Class (UL 94)	Glow Wire Test (GWT) (IEC60695-2-11)	Glow Wire Flammability Index (IEC60695-2-12)	RTI electrical (Max. Operating Temp.)
2281510	PA66V2	Natural	V2	(T.B.D.)	850°C	105°C
2281515	PA66V2	Black	V2	(T.B.D.)	800°C	105°C
2281540	NO FLAME	Natural	V2	(T.B.D.)	960°C	130°C

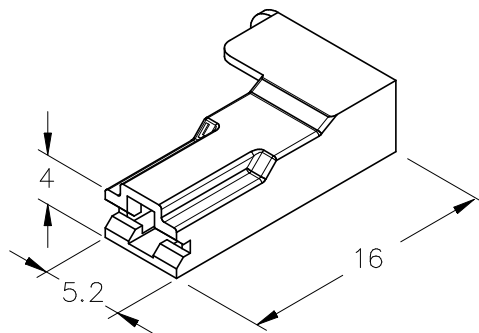
For other materials and colors ask to: info@escubedo.com

Compatible terminals 4809**, 4809G**, 4809K**, 4811**, 4811E**, 4811G**

Insertion / Withdrawal forces

	2281510 / 15 / 40
1st Insertion (max)	5N
1st Withdrawal (min, primary lock only)	35N

Drawing



(T.B.D.): To be determined

Disclaimer

Data obtained from Escubedo Laboratory essays, using own methodology, cablings, equipment and original crimping tools, done in laboratory conditions and following the indicated standards, errors and omissions excepted. This document has no contractual meaning and it is publicised only for informative purposes. It can be changed without prior notice. The end customer has the sole responsibility to check these characteristics in its environment and with its own components, manufacturing methods and equipment. See also the full range product overview if available. For further information please visit our web site or contact us

Rev. Nr.	Concept	Date	Created/Revised	Approved
A3	Update [Compatible terminals]	2019-02-27	Laboratory Dept.	E. Roura
A2	Update datasheet (Specification)	2018-07-13	Laboratory Dept.	E. Roura
A1	Datasheet generated automatically [A1]	2018-06-20	Engineering Department	X.Menac