

## 22172\*\* STANDARD UP-LOK · CONNECTORS



**Specification** UP-LOK Standard Connectors

**Connector type** Male connector

**Ways** 12 (3x4)

**Thermal Characteristics**

Part nr.	Raw material	Color	Flammability Class (UL 94)	Glow Wire Test (GWT) (IEC60695-2-11)	Glow Wire Flammability Index (IEC60695-2-12)	RTI electrical (Max. Operating Temp.)
2217210	PA66V2	Natural	V2	(T.B.D.)	850°C	105°C
2217230	PA66V0	Natural	V0	(T.B.D.)	960°C	140°C
2217240	PANF	Natural	V2	750°C	960°C	130°C

For other materials and colors ask to: [info@escubedo.com](mailto:info@escubedo.com)

**Max. rated voltage** 400V

**Compatible terminals** 7520.\*\*, 7522.\*\*, 7524.\*\*, 7526.\*\*, 8520.\*\*, 8522.\*\*

**Insertion / Withdrawal forces**

	2217210 / 30
1st Insertion (max, connector-receptacle)	18N <sup>1</sup>
1st Withdrawal (min, connector-receptacle)	70N <sup>1</sup>
1st Insertion (max, connector-counterpart)	180N <sup>1</sup>

<sup>1</sup> Valid for UP-LOK series

**Counterpart** 22162\*\*

**Approved regulations**

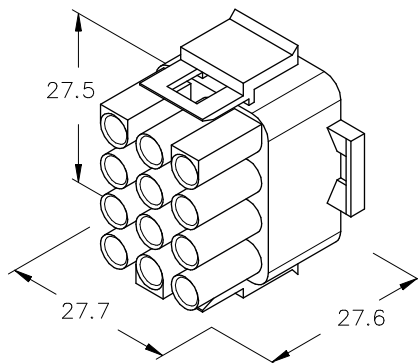
Part nr.	Approval	Standard	File	Certified framework
2217210 <sup>1</sup>	UL	UL 1977	E223221 / E222213	V2 / RTI Elec., Max. Operating Temp, 85°C
2217230 <sup>1</sup>	UL	UL 1977	E223221 / E222213	V0 / RTI Elec., Max. Operating Temp, 110°C
2217240 <sup>1</sup>	UL	UL 1977	E223221 / E222213	V2 / RTI Elec., Max. Operating Temp, 130°C

<sup>1</sup> Cat. No. meets with the standard UL1977 as a component of UP-LOK full connection system  
Max. Rated Voltage 400V

**Approvals**



**Drawing**



**22172\*\***  
**STANDARD UP-LOK · CONNECTORS**

(T.B.D.): To be determined

**Disclaimer**

Data obtained from Escubedo Laboratory essays, using own methodology, cabling, equipment and original crimping tools, done in laboratory conditions and following the indicated standards, errors and omissions excepted. This document has no contractual meaning and it is publicised only for informative purposes. It can be changed without prior notice. The end customer has the sole responsibility to check these characteristics in its environment and with its own components, manufacturing methods and equipment. See also the full range product overview if available. For further information please visit our web site or contact us

Rev. Nr.	Concept	Date	Created/Revised	Approved
A2	Change company name and logo	2021-10-21	Laboratory Dept.	E. Roura
A1	Datasheet generated automatically [A1]	2018-08-10	Laboratory Dept.	E. Roura

Escubedo Connection Systems, S.A.U. · Ctra. de Girona-Olot Km. 35,5 · 17843 Riudellots de la Creu · Girona · Spain  
Tel.: 34 972 171 706 · Fax: +34 972 171 714 · [info@escubedo.com](mailto:info@escubedo.com) · [www.escubedo.com](http://www.escubedo.com)