

22155** STANDARD UP-LOK · CONNECTORS



Specification UP-LOK Standard Connectors

Connector type Male connector

Ways 6 (3x2)

Thermal Characteristics

Part nr.	Raw material	Color	Flammability Class (UL 94)	Glow Wire Test (GWT) (IEC60695-2-11)	Glow Wire Flammability Index (IEC60695-2-12)	RTI electrical (Max. Operating Temp.)
2215510	PA66V2	Natural	V2	(T.B.D.)	850°C	105°C
2215514	PA66V2	Green	V2	(T.B.D.)	850°C	105°C
2215515	PA66V2	Black	V2	(T.B.D.)	850°C	105°C
2215530	PA66V0	Natural	V0	(T.B.D.)	960°C	140°C
2215540	PANF	Natural	V2	750°C	960°C	110°C

For other materials and colors ask to: info@escubedo.com

Max. rated voltage 400V

Compatible terminals 7520.**, 7522.**, 7524.**, 7526.**, 8520.**, 8522.**

Insertion / Withdrawal forces

	2215530
1st Insertion (max, connector-receptacle)	18N ¹
1st Withdrawal (min, connector-receptacle)	70N ¹
1st Insertion (max, connector-counterpart)	140N ¹
1st Withdrawal (max, connector-counterpart, coupling assistance activated)	100N ¹
1st Withdrawal (min, connector-counterpart, coupling assistance deactivated)	180N ¹

¹ Valid for UP-LOK series

Counterpart 22145**

Approved regulations

Part nr.	Approval	Standard	File	Certified framework
2215510 ¹	UL	UL 1977	E223221 / E222213	V2 / RTI Elec., Max. Operating Temp, 85°C
2215530 ¹	UL	UL 1977	E223221 / E222213	V0 / RTI Elec., Max. Operating Temp, 110°C
2215540 ¹	UL	UL 1977	E223221 / E222213	V2 / RTI Elec., Max. Operating Temp, 130°C

¹ Cat. No. meets with the standard UL1977 as a component of UP-LOK full connection system
Max. Rated Voltage 400V

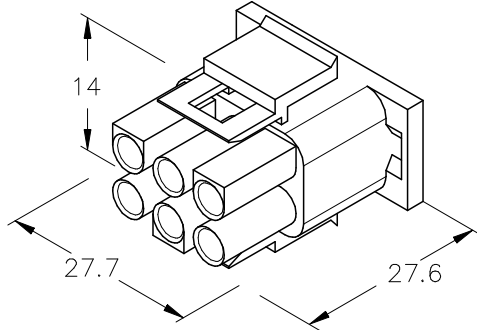
Approvals



22155**
STANDARD UP-LOK · CONNECTORS



Drawing



(T.B.D.): To be determined

Disclaimer

Data obtained from Escubedo Laboratory essays, using own methodology, cabling, equipment and original crimping tools, done in laboratory conditions and following the indicated standards, errors and omissions excepted. This document has no contractual meaning and it is publiscised only for informative purposes. It can be changed without prior notice. The end customer has the sole responsibility to check these characteristics in its environment and with its own components, manufacturing methods and equipment. See also the full range product overview if available. For further information please visit our web site or contact us

Rev. Nr.	Concept	Date	Created/Revised	Approved
A2	Change company name and logo	2021-10-21	Laboratory Dept.	E. Roura
A1	Datasheet generated automatically [A1]	2018-08-10	Laboratory Dept.	E. Roura

Escubedo Connection Systems, S.A.U. · Ctra. de Girona-Olot Km. 35,5 · 17843 Riudellots de la Creu · Girona · Spain
Tel.: 34 972 171 706 · Fax: +34 972 171 714 · info@escubedo.com · www.escubedo.com