



5212.00

4.8 mm (.187) Male-female terminals



Description Low insertion Receptacles for tab 4.8*0.5, with incorporated 4.8*0.8 tab

Wire section range 0.50 –1.00 mm² (AWG 20-18)

Max. Insulator Ø 3.3 mm.

Material Natural Brass, 0.4 mm thickness

Max. Rated current

Wire section (mm ²)	Current (A)
0.50	8
0.75	10
1.00	12

Note: Current carrying capacity according to wire size (IEC 760)

Max. Contact resistance 2.15 mΩ

Note: Maximal contact resistance with minimal suitable wire size (IEC 760)

Max. Temperature 110°C

Note: According to DIN 61210 standard

Thermal derating (see graph →)

Insertion/Withdrawal forces

	ESCUBEDO
1st. Insertion	25 N Max.
1st. Withdrawal	22 ÷ 50 N
6st. Withdrawal	13 N Min

Application tool MN5212

Wire stripping length 4.3 (±0.5) mm

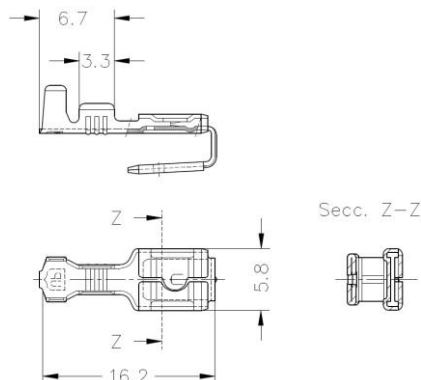
Crimping parameters & Pull out force

Wire section (mm ²)		Conductor (±0,03)		Insulator (±0,10)	Pull-out force	
Nominal	Real	Height (mm.)	Width (mm.)	Width (mm.)	DIN46249	Measured
0.50	0.45	1.25	2.35	3.50	≥ 80 N	>90 N
0.75	0.68	1.35	2.35	3.50	≥120 N	>125 N
1.00	0.91	1.45	2.36	3.50	≥ 160 N	>165 N

Note: Values only valid for the application tool specified upwards. The insulator widths are only indicative as they are dependant on the sheath thickness of the wire used.

Packaging 2500 Pieces on 25 mm. cardboard reel, 17.5 mm terminal chain pitch

Drawing



Approvals

- RoHS Compliant

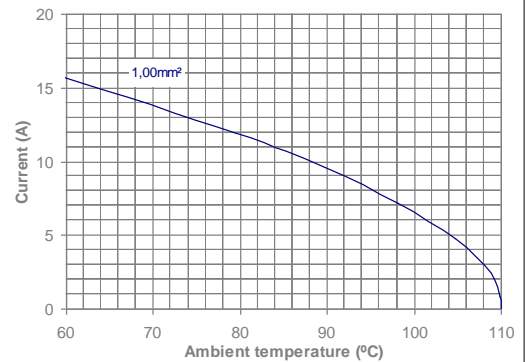


Document History

Rev. Nr.	Modification	Date	Created/Revised	Approved
1	Update	12/07/2012	D.Martinez	A.Calvet
2	Insertion and withdrawal force update	04/09/2013	David Martinez	Adam Calvet

Disclaimer

Data obtained from Escubedo Laboratory essays, using own methodology, cablings and equipment, done in laboratory conditions and following the indicated standards, errors and omissions excepted. This document has no contractual meaning and it is published only for informative purposes. It can be changed without prior notice. The end customer has the sole responsibility to check these characteristics in its environment and with its own components, manufacturing methods and equipment. See also the full range product overview if available. For further information please visit our web site or contact us.



Thermal derating curves
Note: 20% security margin is applied