



# 4346.30

## 6.3mm (.250) Standard terminals



**Description** 6.3mm (.250) Receptacles for connector  
**Wire section range** 2.5 ÷ 6.0 mm<sup>2</sup> (14 ÷ 10 AWG)  
**Max. Insulator Ø** 5.00 mm.  
**Material** Natural Bronze, 0.4 mm thickness  
**Max. Rated current**

Wire section	Current
2.50 mm <sup>2</sup>	20 A
4.00 mm <sup>2</sup>	26 A
6.00 mm <sup>2</sup>	34 A

Note: Maximal carrying capacity for CEI760 Standard

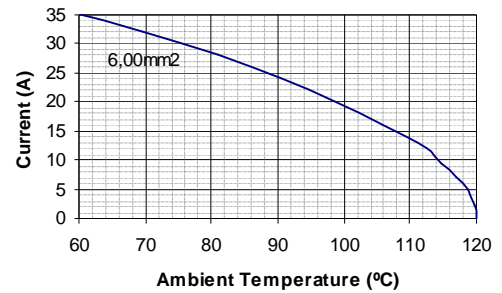
**Max. Contact resistance** 1.18mΩ  
 Note: Method test CEI760 Standard  
**Max. Temperature** 120°C  
 Note: As per DIN 61210 standard.

**Thermal derating** (see graph à)

**Insertion/Withdrawal forces**

	ESCUBEDO
1st. Insertion	≤ 35 N
1st. Withdrawal	≤ 45 N
10st. Withdrawal	≥ 15 N

**Application tool** MN4425  
**Wire stripping length** 5.5 (±0.5) mm



Thermal derating curves  
 Note: 20% security margin is applied.

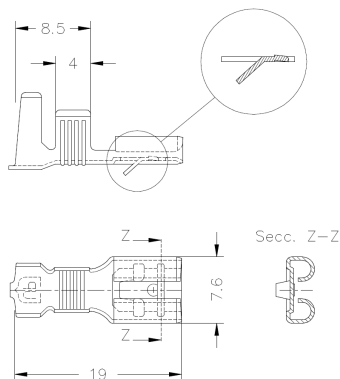
**Crimping parameters & Pull out force**

Wire section (mm <sup>2</sup> )		Conductor (±0,05)		Insulator (±0,10)	Pull-out force	
Nominal	Actual	Height (mm.)	Width (mm.)	Width (mm.)	DIN46249	Value
2.50	2.36	2.15	3.96	6.04	≥ 250 N	> 300 N
4.00	3.96	2.35	3.99	6.04	≥ 350 N	> 400 N
6.00	5.37	2.70	4.02	6.05	≥ 500 N	> 550 N

Note: Values only valid for the application tool specified upwards. The insulator widths are only indicative as they are dependant on the sheath thickness of the wire used.

**Packaging** 4000 Pieces on 20 mm on 300 mm. Ø x 160 mm. wide cardboard reel, 21.4 mm terminal chain pitch

**Drawing**



**Approvals**

- RoHS Compliant
- UL



**Document History**

Rev. Nr.	Modification	Date	Created/Revised	Approved
1	Update	01/06/2012	D.Martinez	A.Calvet

**Disclaimer**

Data obtained from Escubedo Laboratory essays, using own methodology, cabling and equipment, done in laboratory conditions and following the indicated standards, errors and omissions excepted. This document has no contractual meaning and it is published only for informative purposes. It can be changed without prior notice. The end customer has the sole responsibility to check these characteristics in its environment and with its own components, manufacturing methods and equipment. See also the full range product overview if available. For further information please visit our web site or contact us.