



Receptacles for connector

Secondary Lock

Figure	Part number	Wire size mm ² (AWG)	∅ Insulation diameter (mm)	∅ (mm)	Brass Pre-Sn 01	Material thickness (mm)	Winding number
	8519.	0,25-0,6 (24-20)	0,8-2	2,12		0,32	6000
	8521.	0,75-1 (18)	1-2,5				
	8523.	1-2,1 (18-14)	1,3-3,3				
	8551.	1-2,5 (18-14)	1,5-3,3				
	8553.	3-5 (12-10)	5 Max				3500

Males for connector

Secondary Lock

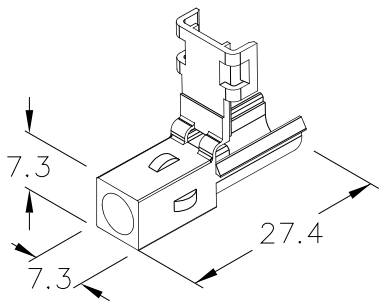
Figure	Part number	Wire size mm ² (AWG)	∅ Insulation diameter (mm)	Brass Pre-Sn 01	Material thickness (mm)	Winding number	
	Solid Pin						
	7519.	0,25-0,6 (24-20)	0,8-2		0,32	6500	
	7521.	0,75-1 (18)	1-2,5			6000	
	7523.	1-2,1 (18-14)	1,5-3,3			3000	
	7551.	1-2,5 (18-14)	5 Max			3500	
7553.	3-5 (12-10)						
	Split pin						
	7525.	0,25-0,6 (24-20)	0,8-2		0,32	6500	
	7527.	0,75-1 (18)	1-2,5			6000	
	7529.	1-2,1 (18-14)	1,5-3,3			3000	
	7557.	1-2,5 (18-14)	5 Max			3500	
7559.	3-5 (12-10)						

Connectors

Secondary Lock

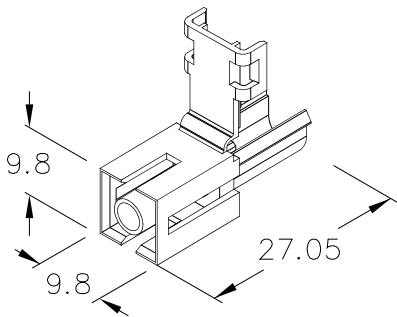
Figure

Part number	Color	Ways	PA66V2	PA66V0	NO FLAME	PAV0NF
-------------	-------	------	--------	--------	----------	--------



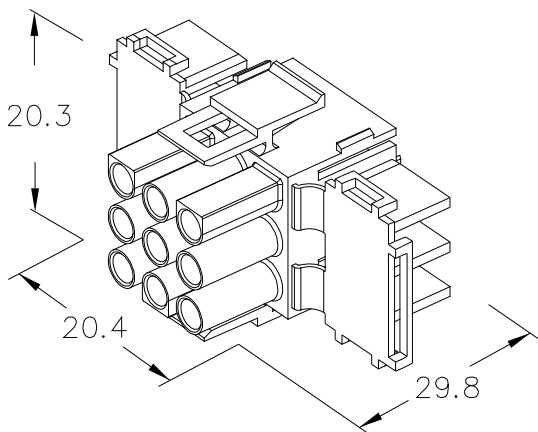
1 way Male Connector

Part number	Color	Ways	PA66V2	PA66V0	NO FLAME	PAV0NF	
2225110	NATURAL	1	■				
2225130				■			
2225140						■	
2225160							■



1 way Female Connector

Part number	Color	Ways	PA66V2	PA66V0	NO FLAME	PAV0NF	
2224110	NATURAL	1	■				
2224130				■			
2224140						■	
2224160							■



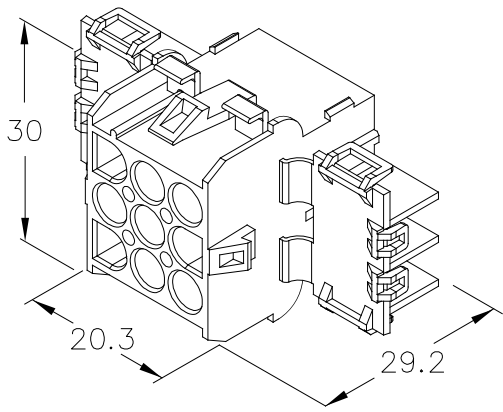
9 ways Male Connector

Part number	Color	Ways	PA66V2	PA66V0	NO FLAME	PAV0NF	
2225910	NATURAL	9	■				
2225930				■			
2225940						■	
2225960							■

Connectors

Secondary Lock

Figure



9 ways 3x3 Female Connector

Part number	Color	Ways	PA66V2	PA66V0	NO FLAME	PAV0NF
2224910	NATURAL	9	■			
2224930				■		
2224940					■	